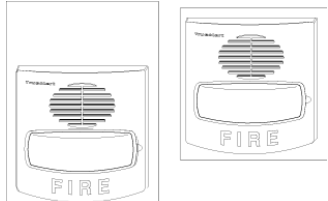
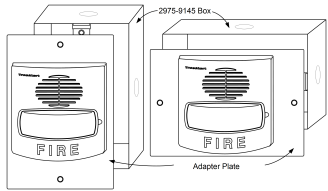
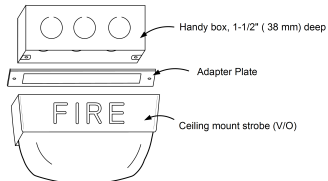
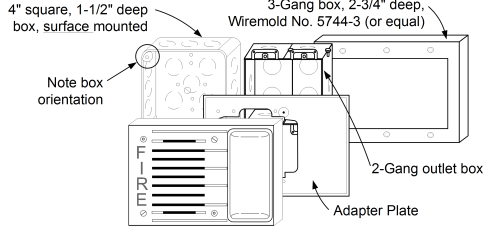
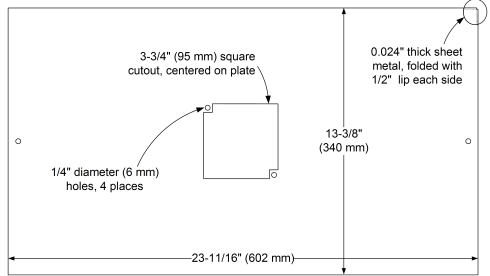


**Adapter Plates and Accessories, Selection and Application Reference**

**Note:** This is a general reference document. Refer to the notification appliance data sheet and installation instructions for specific product compatibility and additional information.

**Table 1: Adapter Plates and Accessories**

SKU	Color	Description	Reference Diagram
4905-9836 4905-9839	Red White	<b>Adapter Plate (Cosmetic)</b> Use for wall mount applications when replacing rectangular housing A/V (horizontal or vertical) on flush mounted, 4" square electrical box, with a TrueAlert A/V (or V/O if horn is no longer required) Dimensions: 7.95" x 5.91" x 0.06" (202 mm x 150 mm x 1.5 mm)	 <p><b>Note:</b> NFPA 72 requires that the entire lens be not less than 80" and not greater than 96" above the finished floor.</p>
A4905-9931	Red	<b>Adapter Plate</b> Use to mount TrueAlert horn, V/O, or A/V to 2975-9145 box (typically for retrofit, may be mounted vertical or horizontal) Dimensions: 8-5/16" x 5-3/4" x 0.060" (211 mm x 146 mm x 1.5 mm)	 <p>A/V (shown for reference) with adapter plate A4905-9931</p>
A4905-9903	Red	<b>Adapter Plate</b> Use to adapt Autocall 2975-9145 box to mount TrueAlert S/V wall mount, or rectangular S/V (vertical or horizontal mount), typically used for retrofit	 <p>Handy box, 1-1/2" (38 mm) deep Adapter Plate Ceiling mount strobe (V/O)</p>
4905-9910	Zinc plated	<b>Adapter Plate for Rectangular A/V</b> (horn/strobe, vertical or horizontal mount) Required for 3-gang Wiremold box, for 2-gang boxes, and for surface mounted 4" square boxes; Not needed if A4905-9915 or A4905-9916 Adapter is used Dimensions: 7" x 4-7/8" (178 mm x 124 mm)	 <p>4" square, 1-1/2" deep box, surface mounted Note box orientation 3-Gang box, 2-3/4" deep, Wiremold No. 5744-3 (or equal) 2-Gang outlet box Adapter Plate</p> <p>A4905-9939 Adaptor Plate</p>
2905-9946	Beige	<b>Tile Bridge</b> Use for A4902-9721 Speaker (round, ceiling mounted)	 <p>3-3/4" (95 mm) square cutout, centered on plate 0.024" thick sheet metal, folded with 1/2" lip each side 13-3/8" (340 mm) 1/4" diameter (6 mm) holes, 4 places 23-11/16" (602 mm)</p>

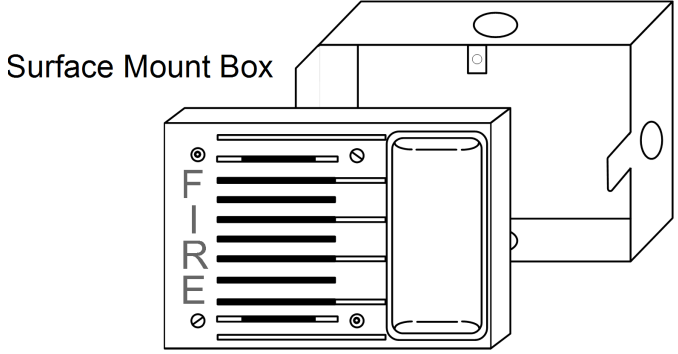
\* This product has been approved by the California State Fire Marshal (CSFM) pursuant to Section 13144.1 of the California Health and Safety Code. See CSFM Listings 7320-2269:0501, 7125-2269:0532, 7125-2269:0524, 7135-2269:0518 and 7320-2269:0502 for allowable values and/or conditions concerning material presented in this document. Additional listings may be applicable; contact your local Autocall product supplier for the latest status.

**Adapter Skirts**
**Table 2: Adapter Skirts**

SKU	Color	Description	Reference Diagram
A4905-9937 A4905-9940	Red White	<b>Surface Mount (Shallow) Adapter Skirt</b> Use to cover 1-1/2" (38 mm) deep surface mounted boxes used for TrueAlert horns, V/O, and A/V Skirt depth: 1-5/8" (41 mm)	
A4905-9941 A4905-9942	Red White	<b>Surface Mount (Deep) Adapter Skirt for Wall Mount Speaker</b> Use to cover surface mounted 1-1/2" deep box with 1-1/2" deep extension external to wall Skirt depth: 3-3/16" (81 mm)	
A4905-9946 A4905-9947	Red White	<b>Surface Mount (Deep) Adapter Skirt for S/V</b> Required when mounting TrueAlert S/V to surface mounted electrical box, 4" square, 1-1/2" deep with 1-1/2" deep extension Skirt depth: 3-3/16" (81 mm)	
A4905-9915 A4905-9916	White Red	<b>Surface Mount Box Adapter</b> Use to cover 1-1/2" deep surface mounted boxes for use with rectangular A/V products (ceiling mount shown for reference) Dimensions: 4-3/4" x 6-7/8" x 1-1/2" deep, (121 mm x 175 mm x 38 mm)	

## Mounting Boxes

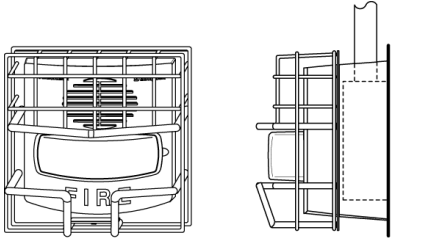
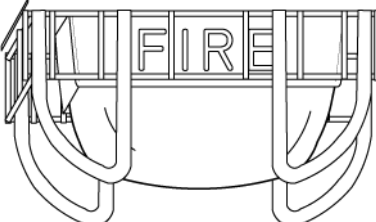
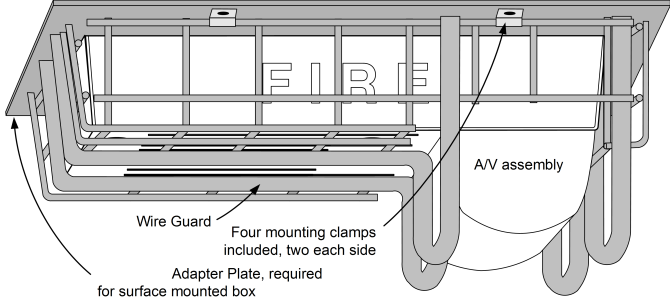
**Table 3: Mounting Boxes**

SKU	Color	Description	Reference Diagram
4905-9923	Red	Surface Mount Box for Rectangular A/V or S/V; horizontal or vertical mount; Dimension: 4-5/16" x 6-5/8" x 2-3/4" (110 mm x 168 x 70 mm)	 <p>Surface Mount Box</p>
4905-9924	White		

4905-9923or4905-9924Surface Mount box

## Wire Guards

**Table 4: Wire Guards**

SKU	Color	Description	Reference Diagram
4905-9961	Red	<b>Wire Guard for Wall Mount TrueAlert V/O or A/V, Includes Mounting Plate</b> Compatible with semi-flush or surface mounted boxes; Dimensions: 6-1/16" H x 6-1/16" W x 3-1/8" D (154 mm x 154 mm x 79 mm)	 <p>Front View with A/V</p> <p>Side View with V/O. Shown with Surface Mount Box which Requires Adapter Skirt</p>
4905-9926	Red	<b>Wire Guard for Ceiling Mount V/O, Includes Mounting Plate</b> Compatible with semi-flush or surface mounted boxes; compatible with wall mount rectangular style V/O, typically for retrofit Dimensions: 6-1/8" x 4-3/8" x 2-7/8" deep (156 mm x 111 mm x 73 mm)	 <p>Guard shown with ceiling mount strobe (V/O) on mounting plate (2 pieces)</p>
4905-9927	Red	Red Wire Guard for mounting to flush mounted electrical box	 <p>Wire Guard</p> <p>Four mounting clamps included, two each side</p> <p>Adapter Plate, required for surface mounted box</p> <p>A/V assembly</p>
4905-9928	Red	Red Adapter Plate, required to mount guard to surface mounted electrical box	

**Autocall Appliances and STI Covers, UL Listed Compatibility Reference**

The following table summarizes the Autocall appliances that have been UL tested and listed with various STI polycarbonate vandal covers. The products were tested and grouped together to provide the best performance, the loss values shown below are significantly better than the generic de-rating (loss) factors.

More information on STI products can be found at [www.sti-usa.com](http://www.sti-usa.com).

Appliance		Autocall Model Number	STI Cover Model Number	Back Box Mounting Type	Light Loss	Sound Loss	Required Surface Mount Adapter Skirt (see note 4)
Mounting	Type						
Wall (see Note 5)	Speaker	A4902-9716	STI-1210D	Surface	NA	1.1 dBA	A4905-9941
			STI-1210E	Flush	NA	2.9 dBA	None
Ceiling	Speaker	A4902-9721	STI-1217	Flush	NA	5.4 dBA	
Wall	Horn	A4901-9820	STI-1210D	Surface	NA	3.1 dBA	
				Flush	NA	6.1 dBA	
Wall	V/O	A4906-9101 and A4906-9103	STI-1210D	Surface	41.7%	NA	A4905-9937 (red) or A4905-9940 (white)
			STI-1210E	Flush	31%	NA	
			STI-1215	Flush	33.3%	NA	
			STI-1217 (see Note 3)	Surface	30.7%	NA	
Wall	A/V	A4906-9127 and A4906-9129	STI-1210D	Surface	41.7%	3.7 dBA	A4905-9937 (red) or A4905-9940 (white)
			STI-1210E	Flush	31%	4.9 dBA	
			STI-1215	Flush	33.3%	5.7 dBA	
			STI-1217 (see Note 3)	Surface	30.7%	6.3 dBA	
Ceiling	V/O	A4906-9102 and A4906-9104	STI-1217	Surface	21.5%	NA	None
			STI-1217	Flush	39.4%	NA	
Wall	S/V	A4906-9151 and A4906-9153	STI-1210D	Surface	34.3%	1.5 dBA	A4905-9946 (red) or A4905-9947 (white)
			STI-1210E	Flush	31%	3.3 dBA	
Ceiling	S/V	A4906-9154	STI-1217	Flush	23.6%	1.4 dBA	None

**Note:**

- Covers are not listed for ULC applications.
- Refer to the STI Installation Manuals packed with each cover for mounting and maintenance instructions.
- STI adhesive backed spacer to mounting surface gasket required; cover to spacer gasket is not used.
- Surface mounted appliances require use of the appropriate Surface Mount Adapter Skirt as listed.
- Speaker A4902-9716 is listed for both wall and ceiling mount with the STI covers as shown above.