
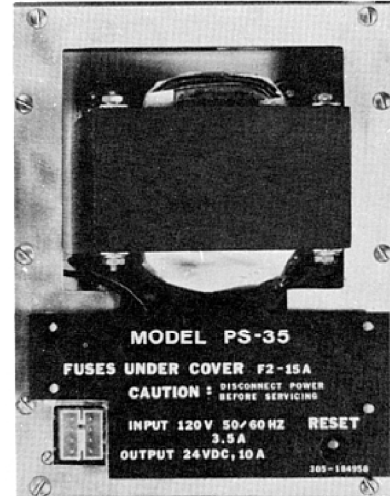


# PS-35

## System 3™ Power Supply

### ENGINEER AND ARCHITECT SPECIFICATIONS

- Multiple Usage
- Deadfront Construction
- Modularized
-  Listed, ULC Listed, FM, CSFM, NYMEA and City of Chicago Approved



### Description

The Cerberus Pyrotronics power supply model PS-35 is a step-down transformer and bridge rectifier designed for use with control panel model CP-35 or to provide additional DC power for notification appliances.

The units, which are modularized for System 3™ enclosure mounting, are of deadfront construction and contain a terminal strip, circuit breaker with a reset switch on the AC input, protection fuses on the DC outputs and a receptacle for jumper plug connection directly into the control panel, model CP-35.

The PS-35 occupies three module positions within the System 3 enclosure.

### Operation

The model PS-35 provides a rectified, full wave 24 VDC output from an input supply of 120 VAC, 50/60 Hz. The input consists of a main power phase and a trouble phase, each separately fused, and a common neutral.

The 24 volt full wave output is rated at 10 Amp. DC, full load. When the PS-35 is used to power the control panel system, the second output (terminals 5 & 6, rated at 24 VDC 1.5 Amp.) is used to power modules internally housed and wired within the control unit enclosure.

Surge protection is provided across both input phases as well as the DC output.

**Note:** When an additional PS-35 power supply is used for additional notification appliance power in a CP-35 controlled system with emergency power, a transfer module TC-30U is required to supply emergency power to the notification appliance circuit.

### Engineer and Architect Specifications

The power supply for the alarm system shall be a Cerberus Pyrotronics model PS-35. The unit shall be Underwriters Laboratories, Inc. Listed.

The unit shall provide a full wave of rectified 24 VDC output rated at 10 Amp., full load. The PS-35 shall be capable of powering 100 detection zones (49 ZU-35 zone modules and 4 fully loaded alarm extender modules, model AE-30U, simultaneously).

The rated output, which shall be completely fused, shall be provided at a plug receptacle. A second output (terminals 5 & 6, rated at 24 VDC, 1.5 Amp.) is used to power modules internally housed and wired within the control unit enclosure.

The power supply shall be of deadfront construction and housed in a steel enclosure compatible with the modularized alarm system. Externally mounted 120 VAC/24 VDC transformers shall not meet the intent of this specification.

## Electrical Information

**Power Requirement:** 120 VAC, 50/60 Hz, three wire, 3.5A max.

The model PS-35, plus the CP-35 control panel occupy space normally taken by eight modules. The power supply for the CP-35 must be mounted in the upper right-hand position of a System 3 enclosure. This should be considered when sizing the enclosure.

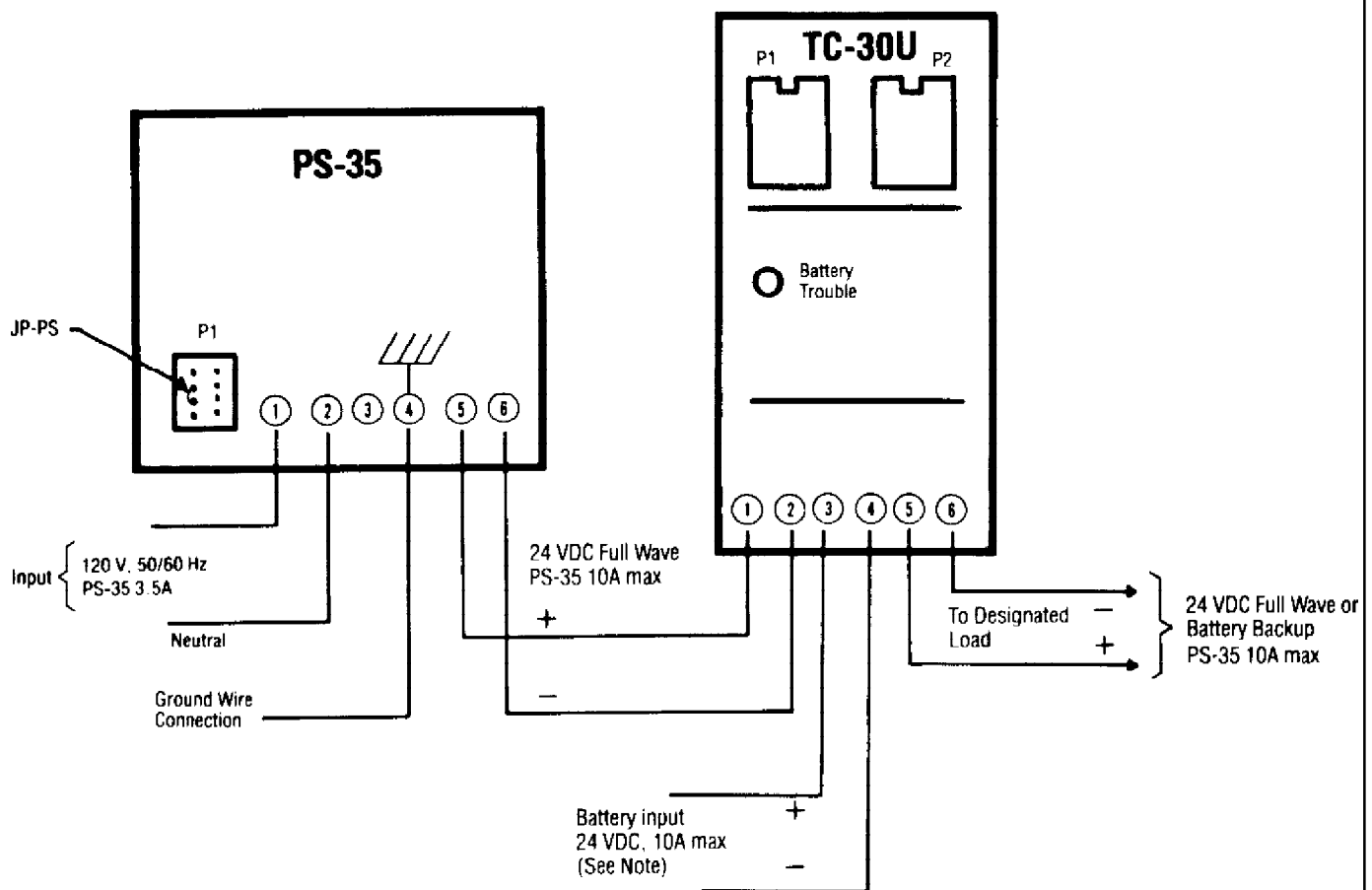
Additional power supplies, if required, are mounted adjacent to the modules to be powered by them.

## Typical Wiring

## Ordering Information

Model No.	Description	Shipping Weight
PS-35	Power Supply	16 lb. (8.3 kg.)

### When Used As Separate 24 VDC Power Supply With Battery Backup



**Note:** Battery charging connections not shown

When Used As Power Supply For Control Panel of CP-35, See CP-35 Wiring Diagram P/N 315-084902

**NOTICE:** The use of other than Cerberus Pyrotronics detectors and bases with Cerberus Pyrotronics equipment will be considered a misapplication of Cerberus Pyrotronics equipment and as such void all warranties either expressed or implied with regards to loss, damage, liabilities and/or service problems.



Cerberus Pyrotronics  
8 Ridgedale Ave.  
Cedar Knolls, NJ 07927  
Tel: (201) 267-1300  
FAX: (201) 397-7008

6/96  
5M  
CPY-IG  
Printed in U.S.A.

Cerberus Pyrotronics  
50 East Pearce Street  
Richmond Hill, Ontario  
L4B, 1B7 CN  
Tel: (905) 764-8384  
FAX: (905) 731-9182

July 1995  
Supersedes sheet dated 8/94