

Conventional Fire Alarms

Pull Stations

270 Series

The Edwards 278B/279B series non-coded, double-action fire alarm stations are UL listed, contemporary-styled Lexan stations. The 278B series feature terminals for field wiring connections, and the 279B series use 6" (150mm) wire leads for field wiring connections.

All types are available with single or double pole alarm contacts that can be normally open, normally closed or a combination of both. Either a key or tool (depending on station selected) is required to reset mechanism. Where a manual station is installed on a circuit that also includes smoke detectors, a resistor can be added in series with the alarm initiating contacts on the station so the operation of the station does not extinguish alarm LEDs on operated detectors. The 276-R and 276-RT resistor kits permit field installation of the series resistor on applicable stations.

For semi flush mounting, use a standard North-American 4 inch square box with single gang plaster cover having an overall minimum depth of 2-1/4 inches (57mm). For surface mounting use a 276B-RSB surface back box.

Features and Specifications

- Double action models
- Single or double pole contacts
- Terminals or wire leads for field connections
- Key lock or tool reset
- Break glass operation
- Surface or semi flush mounting
- Red finish
- Contemporary styling
- Rugged Lexan construction
- Latch action until reset
- Operating temperature range: 32°F to 120°F (0°C to 49°C)



Ordering Information

Description	Cat. No.	Contact Ratings		Field Connections	Switch Contacts	Station Reset
		Voltage	Amps			
Double-Action Pull Station	278B-1110	30V AC	3.0	screw terminals	Single-pole Alarm, Open Circuit	Tool Operated
		28V DC	1.0			
	278B-1120	30V AC	3.0	screw terminals	Single-pole Alarm, Open Circuit	Key Operated
		28V DC	1.0			
	278B-1420	30V AC	1.5	screw terminals	Double-pole, Open and Closed Circuit	Key Operated
		28V DC	1.0			
	279B-1110	30V AC	3.0	6" wire leads	Single-pole Alarm, Open Circuit	Tool Operated
		28V DC	1.0			

Accessories

Description	Cat. No.
Optional Resistor Kit (single-pole)	276-R ¹
Optional Resistor Kit (double-pole)	276-RT ¹
Replacement Glass Rods	276-GLR
Station Reset Key (supplied with all Key Reset Stations)	276-K1
Surface Back Box, Red	276B-RSB

¹For use in stations connected to smoke detector circuits. 560 Ohms, +/-5%; 2W.



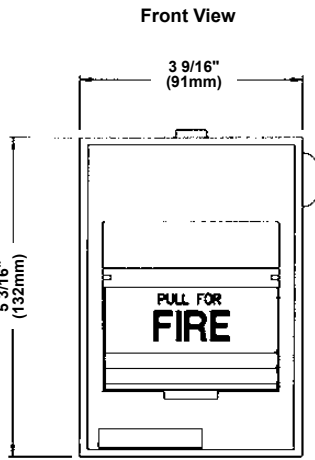
Conventional Fire Alarms

Pull Stations

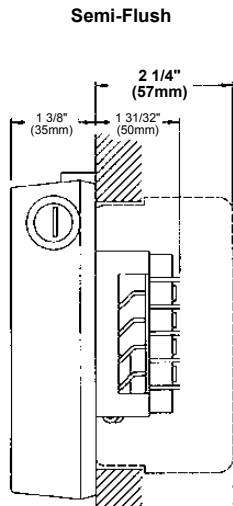
270 Series

Weights and Dimensions

Cat. No.	Approx. Shipping Weight (lb.)
278B-1110	1.0
278B-1120	1.0
278B-1420	1.0
279B-1110	1.0

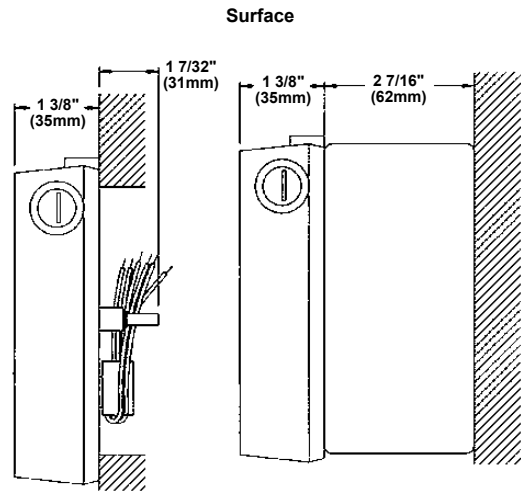


Cat. No's.
278B and 279B Series



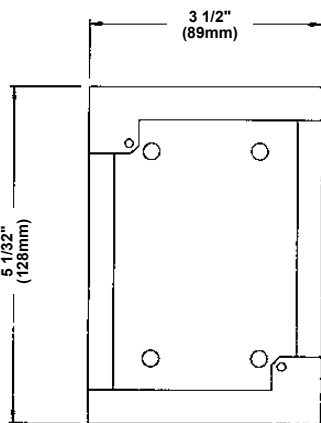
Cat. No.
278B Series
With Optional Back Box

4" Square back box and plaster cover with single gang opening having overall min. depth of 2-1/4" (57mm)



Cat. No's.
277B & 279B Series
Without Back Box

Cat. No's.
278B & 276B-RSB
Back Box



Cat. No. 276B-RSB