

## Installation Instructions for Explosion-Proof Adaptahorn Catalog Series 878EX and 879EX

### Description and Operation

Edwards explosion-proof Adaptahorn is a heavy-duty high decibel vibrating horn intended for use where a distinctive audible signal is required in a hazardous location. It is UL and cUL listed and is designed for use in Class I, Division 1 and 2, Groups B, C, and D; and Class II, Division 1 and 2, Groups F and G, Class II, Division 1, Group E, and Class III, Division 1 and 2 hazardous locations. The horns are in an Outdoor Type 4X rated enclosure (Outdoor Type 4X applies to general signaling use in non-fire alarm applications). The Adaptahorn may be mounted to any solid surface.

### Electrical Specifications

Cat. Number	Input Power	Current	dB Rating at 10 ft.
878EX-R5	240VAC	0.065A	97
878EX-N5	120VAC	0.13A	97
878EX-G5	24VAC	0.625A	97
878EX-E5	12VAC	1.25A	97
879EX-P1	125VDC	0.025A	97
879EX-K1	48VDC	0.07A	97
879EX-J1	32VDC	0.13A	97
879EX-G1	24VDC	0.16A	97
879EX-E1	12VDC	0.27A	97
879EX-C1	6VDC	0.7A	97

#### Ambient Temperature:

The UL Hazardous Locations Listing is "only for use under normal atmospheric conditions in an ambient temperature within the range of -25C (-13F) to +40C (+104F)"; and within these ambient temperatures, Edwards recommends -4C (+25F) and higher for its function as an audible signal appliance.

### Installation

For power connections in a hazardous location, the following external parts will be required:

- 3/4 inch conduit of sufficient length to contain power source wires within hazardous location

- One explosion-proof outlet box suitable to the hazardous location
- Two 3/4-14 National Pipe Taper (NPT) nipple connectors.

1. Mark two mounting holes per dimensions in Figure 1. Secure Adaptahorn to solid surface using the furnished mounting brackets and hard ware suitable for the mounting location. The 3/8" diameter fasteners and washers are not supplied.
2. See Figure 1. Power source connections are made in the explosion-proof outlet box. Remove outlet box cover.



### CAUTION

Do not apply power to the unit until installation is completed and cover is secured.

3. Feed external power wires through the 3/4 inch conduit which is attached to the outlet box with one of the 3/4-14 NPT connectors.
4. Feed Adaptahorn power connection wires through the other 3/4-14 NPT connector which connects the Adaptahorn to the outlet box.
5. Connect power source wires to Adaptahorn power connection wires. Connect ground lead to earth ground.
6. Replace outlet box cover and tighten securely.

### Maintenance and Test

Examine the unit periodically for accumulation of dirt. Clean if necessary.

The Adaptahorn should be tested monthly to ensure continuous service.

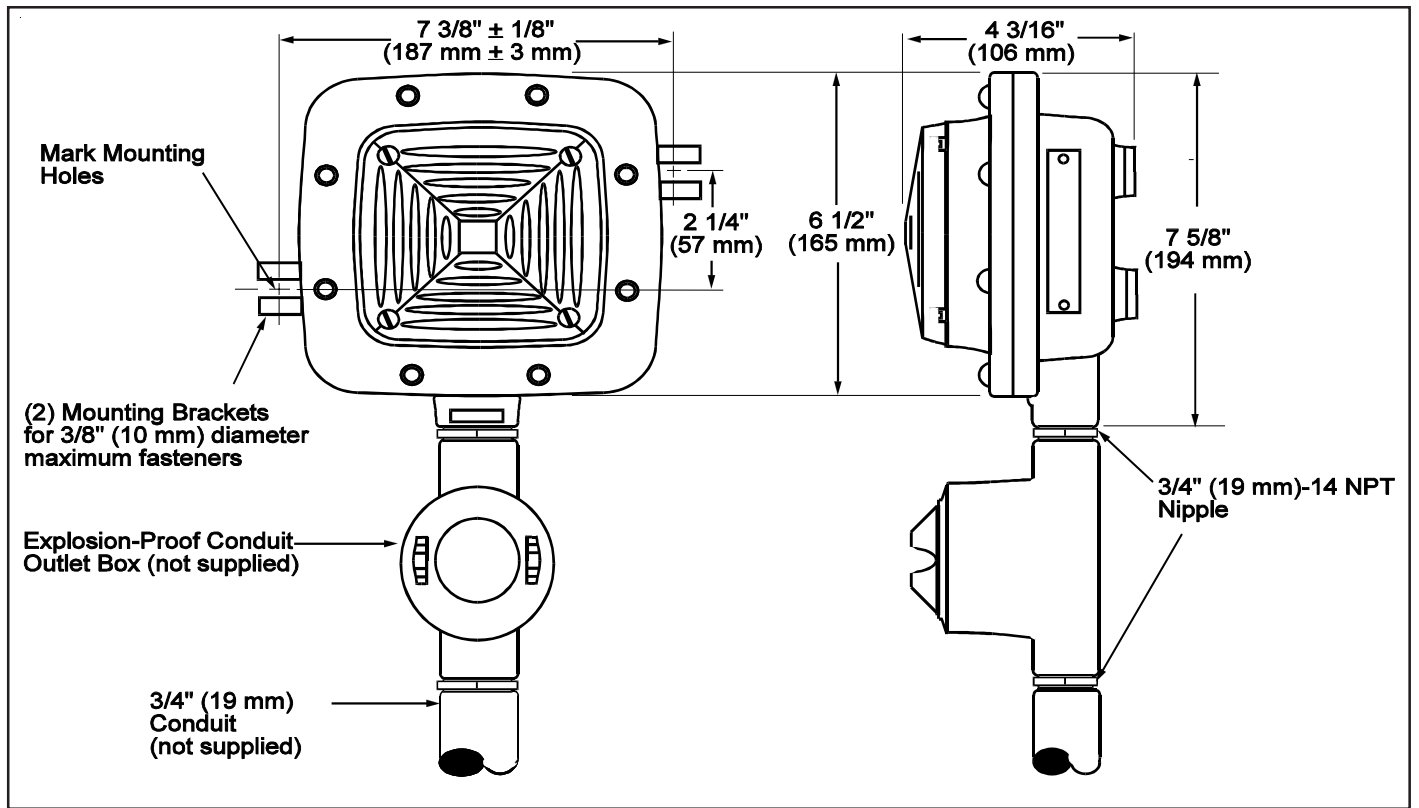


Figure 1. Signal Mounting Details

---

**Contacting Edwards:**

Phone: (203) 699-3000

E-Mail: [techsupport@edwards-signals.com](mailto:techsupport@edwards-signals.com)  
[customerservice@edwards-signals.com](mailto:customerservice@edwards-signals.com)

Website: <http://www.edwards-signals.com>