



Submittal Guide

V-Series Life Safety Systems

Analog addressable fire alarm
solutions for small buildings



VIGILANT BRAND FIRE & LIFE SAFETY FROM EDWARDS

See what's possible now...



Project: _____

Contact: _____

Date: _____

Thankyou for giving us the opportunity to provide this submittal for an V-Series Life Safety System. V-Series combines analog addressable detection with technologically advanced sensor diagnostic capabilities. Together these innovations offer unsurpassed stability, reliability, and flexibility.

This guide provides a summary of these innovations and includes a comprehensive presentation of related system components and devices. Products we are submitting for your consideration are indicated by a checkmark in the margins of the pages that follow.

More detailed information can be found in individual data sheets dedicated to each product. All these sheets, along with guide specifications and other useful product information, are available electronically on our *VitalSigns* CD-ROM. This exhaustive collection of life safety related literature is fully searchable and includes a utility for printing multiple data sheets.

Thank you for giving us the opportunity to provide this submittal. Please do not hesitate to contact us should you require further information.

Submittal Guide

V-Series Life Safety Systems

Analog addressable fire alarm solutions for small buildings



V-Series Submittal Guide

Analog addressable fire alarm solutions for small buildings

Copyright © 2010 UTC Fire and Security
All rights reserved.

8985 Town Center Parkway, Bradenton, FL 34202

M85005-0132, Issue 1

Wiring diagrams provided herein are for information and reference only and are not to be used for installation purposes. Consult the appropriate installation documents for wiring and configuration details.

This guidebook is for information only and is not intended as a substitute for verbatim legislated requirements. For authoritative specifications regarding the application of life safety, security, and access control systems, consult current editions of applicable codes and standards. For authoritative interpretation of those codes and standards, consult your local authority having jurisdiction.

While every effort has been made to ensure the accuracy and completeness of this guidebook, the authors and publishers assume no responsibility for errors, inaccuracies, omissions, or any inconsistencies herein.

Vigilant, QuickStart, V-Series, Genesis Series, and Signature Series are trademarks of UTC Fire and Security.

Also from Edwards:

85001-0541: Handbook of Visual Notification Appliances for Fire Alarm Applications

A practical guide to regulatory compliance

85001-0542: Glossary of Fire Alarm and Security Terminology

A desk reference for life safety and security professionals

85001-0582: Remote Booster Power Supply Application Guide

A summary of typical wiring and configuration for everyday and advanced applications

M85005-0115: QuickStart Submittal Guide

Intelligent/conventional life safety for small to mid-sized applications

M85005-0105: MIR2 Submittal Guide

Networkable intelligent life safety with voice audio

Cohesive, comprehensive analog addressable fire alarm for small buildings.

With control panels, devices, and accessories all engineered to work in unison, V-Series systems provide reliable performance and the advanced features you need for successful installation and worry-free operation. Best of all, V-Series leaves you in control – not hemmed in by a limited product line. Vigilant’s extensive range of fire alarm products gives you the freedom to tailor each system to the particular needs of the building – and the budget of the building owner – while a robust feature set leaves plenty of room for upgrades, expansions, and retrofits long into the future.

But innovative features tell only part of the story: when you specify V-Series you’re getting more than outstanding value in a fire alarm panel; you’re benefitting from a whole family of control, detection, and notification appliances finely tuned to work together – engineered and tested to function as a single unified system.

Built on the successes of the past, and meeting the needs of the future, V-Series is the changing face of small building fire detection today.

V-Series Analog	1
System Specifications	2
Control Panels	3
Option Cards	4
Power Supplies	6
Remote annunciation	8
Accessories	10
Analog Addressable Initiating Devices	11
Detectors and Bases	12
Input/Output Modules	14
Manual Pull Stations	18
Notification Appliances	21
Wall Strobes, Horns & Chimes	22
Ceiling Speakers, Horns, and Strobes	23
Wall Speakers and Speaker-strobes	24
Audible Signals	25
Harsh Environment Signals	26
Audio Notification System	27
Accessories	28
Hazardous Location Devices	29
Initiating Devices	30
Notification Appliances	31
Door Holders & Relays	32
Door Holders	32
Relays	32
SPDT Relays	33
Index	34

Specifications	p. 2
Control Panels	p. 3
Option Cards	p. 4
Power Supplies	p. 6
Remote annunciation	p. 8
Accessories	p. 10

V-Series Analog Control

V-Series life safety systems are a powerful intelligent solution for small to mid-sized buildings. Advanced analog technology delivers the benefits of flexible system installation, while a clean and easy-to-operate user interface makes panel operation and system maintenance quick and intuitive.

The smart choice

V-Series electronic device addressing eliminates the tedium of setting dipswitches, and innovative programming features allow the system designer to customize powerful built-in features to precisely suit the needs of the building owner.

Flexibility built right in

Two fully-programmable front panel switch/LED combinations provide an added measure of flexibility. Their slide-in labels take the mystery out of custom applications, and present a clean finished appearance.

Perfect for retrofits

V-Series is particularly well-suited to retrofit applications. All connections are made over standard wiring – no shielded cable required. This means that in most situations existing wiring can be used to upgrade a legacy control panel to V-Series technology without the expense or disruption of rewiring the entire building.

Signals with a difference

V-Series NACs are configurable to fully support the advanced signaling technology of Edwards Genesis and Enhanced Integrity notification appliances. These devices offer precision synchronization of strobes to UL 1971 standards. For Genesis devices, enabling this feature allows connected horns to be silenced while strobes on the same two-wire circuit continue to flash until the panel is reset.

Clear-cut remote annunciation

Remote annunciation is a strong suit of the VS1. Up to eight annunciators can be installed on a single system. Compatible annunciators include a range of LED and LCD models that provide zone or point annunciation, as well as common control capabilities.

V-Series also supports graphic annunciation with optional RA Graphic Annunciator interface modules. Each interface provides common control, indicators, and 32 LEDs.

A complete line of accessories

V-Series life safety systems are supported by a complete line of intelligent detectors, modules and related equipment, each of which is fully tuned and tested to operate in concert with one another to provide highly reliable service and years of trouble-free operation.



V-Series Analog Control

Specifications

V-Series
Analog Control

Optional second loop (VS2)

Specifications	VS1	VS2
Device loops	1 loop Class B, Class A optional, supports up to 64 devices	1 loop, expandable to 2, Class A or B, each loop supports up to 250 devices
Notification appliance circuits	2 Class B, Class A optional, 2.5 amps each	4 Class B or 2 Class A, 2.5 amps each
Power supply	3.75 A FWR total at 120/230 VAC 60 Hz 3.0 A FWR total at 230 VAC 50 Hz 0.5 amps aux power	6.0 A total, 2.5 A max. per circuit at 120/230 VAC 60 Hz. 5.0 A total at 230VAC 50 Hz, 2.5 A max. per circuit 0.5 amps aux power
NAC Operating	24 VDC. NAC minimum voltage: 19.5 VDC @ 20.4 V battery voltage	
SLC Loop operating	20 V peak-to-peak	
Primary power	120 VAC, 60 Hz, 230 VAC 50-60 Hz	
Aux Power 1	Continuous circuit: 24 VDC nominal at 500 mA. A SMK module is required when using the GSA-UM module to support two-wire smoke detectors.	
Aux Power 2	Resettable circuit: 24 VDC nominal at 500 mA.	
Auxiliary output	19 to 25.7 VDC	
Base panel current	Standby: 155 mA Alarm: 204 mA	Standby: 172 mA, Alarm: 267 mA
Battery placement	Accommodates up to 10 A/H batteries. Use external cabinet for larger batteries.	Accommodates up to 18 A/H batteries. Use external cabinet for larger batteries.
Batteries	Batteries must be sealed lead acid type only. Maximum charging capacity = 26 Ah.	
Loop circuit	Maximum loop resistance: 66 Ω. Maximum loop capacitance: 0.7 μF. Style 4, 6, and 7 wiring. 64 isolators maximum	Maximum loop resistance: 66 Ω. Maximum loop capacitance: 0.5 μF. Style 4, 6, and 7 wiring. 64 isolators maximum.
Loop max detector standby current	1.5 mA (see the UL and ULC compatibility list for your panel for the maximum quantity of detectors per circuit)	
Compatibility ID	100	
Alarm contact	Form C 24 VDC @ 1 A (resistive load)	
Trouble contact	Form C 24 VDC @ 1 A (resistive load)	
Supervisory contact	Form A 24 VDC @ 1 A (resistive load)	
Environmental	Temperature: 0 to 49°C (32 to 120°F). Humidity: 0 to 93% RH, noncondensing	
Terminal rating	All terminals rated for 12 to 18 AWG (0.75 to 2.5 sq mm)	
Serial communications	Voltage: 2.55 V. Current: 30 mA max	
Remote annunciator	8 drops max, RS-485 Class B, Class A	
Input zones	16 max.	32 max.
Agency Listing	UL, CSFM and ULC	

Up to 20,000 feet of wiring per data loop

Up to 20,000 feet of wiring per data loop

VS1: one loop that supports up to 64 intelligent devices of any type.

VS2: one loop that supports up to 250 intelligent devices. Can be expanded to two loops. Each loop supports up to 125 detectors and up to 125 modules.



Diagram represents an VS2 system wired for Class A operation with a full complement of option cards.

Control Panels

Standard Features

The attractive appearance of V-Series control panels means they won't be a blemish on an expensive architectural design. Their gently curved doorfronts offer a distinctive flair with available red or silver finishes. Controls are discreetly inset behind a striking black bezel.

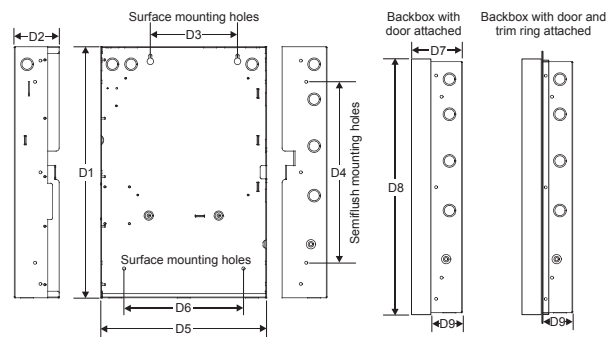
- Supports V-Series analog addressable modules and detectors
- Form C contacts for alarm and trouble, Form A for supervisory
- Electronic addressing with automatic device mapping
- Optional Ethernet port for diagnostics, programming and a variety of reports
- Two programmable switches with LEDs and custom labeling
- Supports Genesis horn silence over two wires and UL 1971-compliant strobe synchronization
- Supports up to eight serial annunciators, (LCD, LED-only, and graphic interface).
- Can use existing wiring for most retrofit applications
- Upload/download remotely or locally
- Two-level maintenance alert reporting
- Pre-alarm and alarm verification by point



VS1

VS2

Dimensions



Panel dimensions, in (cm)

	D1*	D2	D3	D4	D5*	D6	D7	D8	D9
VS1	21.50 (54.6)	3.85 (9.8)	7.5 (19)	15.5 (39.4)	14.25 (36.2)	10.25 (26)	3.9 (9.9)	21.7 (55.1)	2.7 (6.8)
VS2	28.0 (71.1)	3.85 (9.8)	9.0 (22.8)	22.0 (55.8)	15.75 (40.0)	10.25 (26.0)	3.9 (9.9)	28.2 (71.6)	2.7 (6.8)

*Add 1-1/2 in. (3.81 cm) to D1 and D5 dimensions for trim kit.

VS1 Intelligent Single Loop Systems, Data Sheet M85005-0131

VS1-G	64 analog point capacity, 2 Class B NACs, Gray door, surface enclosure, 115VAC, English.	<input type="checkbox"/>
VS1-GD	64 analog point capacity, 2 Class B NACs, 2 Line Dialer, Gray door, surface enclosure, 115VAC, English.	<input type="checkbox"/>
VS1-R	64 analog point capacity, 2 Class B NACs, Red Door, surface enclosure, 115VAC, English.	<input type="checkbox"/>
VS1-RD	64 analog point capacity, 2 Class B NACs, 2 Line Dialer, Red Door, surface enclosure, 115VAC, English.	<input type="checkbox"/>
VS1-G-2	64 point capacity, 2 Class B NACs, Gray door, surface enclosure, 230VAC, English.	<input type="checkbox"/>
VS1-R-2	64 point capacity, 2 Class B NACs, Red door, surface enclosure, 230VAC, English.	<input type="checkbox"/>
SA-TRIM1	Flush mount trim, black	<input type="checkbox"/>

VS2 Intelligent Multi-Loop Systems, Data Sheet M85005-0130

VS2-G	500 analog point capacity, 4 NACs, gray door, surface enclosure, 115VAC, English.	<input type="checkbox"/>
VS2-G-2	500 analog point capacity, 4 NACs, gray door, surface enclosure, 230VAC, English	<input type="checkbox"/>
VS2-GD	500 analog point capacity, two-line dialer, 4 NACs, Gray door, surface enclosure, 115VAC, English.	<input type="checkbox"/>
VS2-R	500 analog point capacity, 4 NACs, red Door, surface enclosure, 115VAC, English.	<input type="checkbox"/>
VS2-R-2	500 analog point capacity, 4 NACs, red door, surface enclosure, 230VAC, English	<input type="checkbox"/>
VS2-RD	500 analog point capacity, two-line dialer, 4 NACs, Red Door, surface enclosure, 115VAC, English.	<input type="checkbox"/>
D16L-VS	LED Annunciator Module, 16 groups, 2 LEDs per group, insertable labeling. Mounts in cabinet on VS2 systems.	<input type="checkbox"/>
SA-TRIM2	Flush mount trim, black	<input type="checkbox"/>

SUBMIT



V-Series
Analog Control

Initiating
Devices

Notification
Appliances

Hazardous Location
Devices

Door Holders
& Relays

SUBMIT



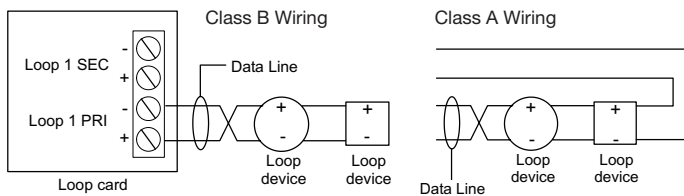
Option Cards

VS-Series panels are supported by a complete line of modules and related equipment that enhance performance and extend system capabilities. Option cards are easy to install and set up. They simply plug directly into the control panel main circuit board or are connected to it with a ribbon cable. After installation, terminals remain easily accessible for quick connection of field wiring. The cabinet provides ample room for wire routing, keeping wiring neat and easy to service at all times.

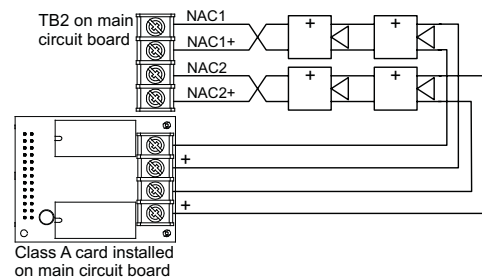
V-SLC Loop Expander Card

The V-SLC Loop Expander Card provides an additional device loop on the control panel. The card expands the control panel's device capacity to 500 total device addresses, 250 per loop. The card is compatible with Class B or Class A wiring. It is compatible with VS2 control panels only.

The loop expander card connects to connector J7 on the main circuit board.



V-SLC Loop Expansion Module. Adds 2nd loop to VS2 systems, 250 point capacity. Mounts in cabinet on main board.



SA-CLA Class A Module

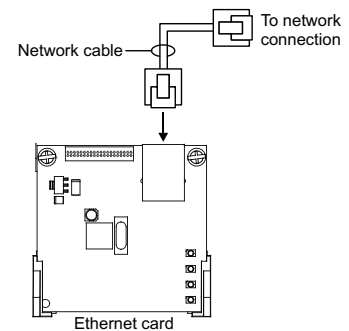
The SA-CLA card provides Class A capability for NAC and annunciator wiring. Its terminal block provides the wiring connection for NAC return wiring. The card is required for annunciator Class A wiring even though this wiring does not return to the SA-CLA card. The SA-CLA is compatible with VS1 control panels only. VS2 panels are Class A ready. The SA-CLA is installed directly to the control panel circuit board using its plastic standoffs and plug connection.

SA-CLA VS1 Class A adapter module. Provides Class A capacity on NACs. Mounts in cabinet on main board.

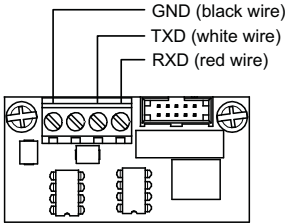
SA-ETH Ethernet Interface Card

The SA-ETH card provides a standard 10/100 Base T Ethernet network connection for connecting to an intranet, a local network, or the Internet. The card can be used to upload and download panel configuration, history, and current status from the VS-CU to the panel over the network.

The Ethernet card is installed on the plastic assembly and connects to the main circuit board via a ribbon cable.



SA-ETH Ethernet Port, Slave, for Ethernet connection to local area networks. Mounts in cabinet on base plate.

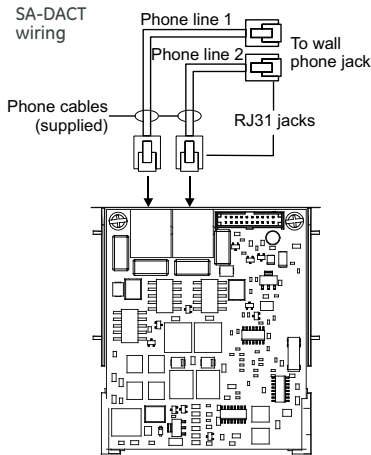


SA-232 RS-232 interface

The SA-232 card provides an RS-232 interface with VS-Series panels. It can be used for connecting a printer to the control panel to print system events. The card also can be used for connecting a computer to download a configuration program from the VS-CU to the control panel.

The RS-232 card is installed on the plastic assembly and connects to the main circuit board via a ribbon cable.

SA-232	Serial Port (RS-232), for printers & computers, mounts in cabinet to base plate	<input type="checkbox"/>
--------	---	--------------------------



SA-DACT Dialer

The SA-DACT provides communications between the control panel and the central station over a telephone line system. It transmits system status changes (events) to a compatible digital alarm communicator receiver over the public switched telephone network. The dialer is capable of single, dual, or split reporting of events to two different account and telephone numbers. The modem feature of the SA-DACT can also be used for uploading and downloading panel configuration, history, and current status to a PC running the VS-CU.

The dialer phone lines connect to connectors on the dialer's main circuit board. Phone line 1 connects to connector J4 and phone line 2 connects to connector J1.

SA-DACT	Dual Line Dialer/Modem, supports Contact ID, mounts in cabinet on base plate	<input type="checkbox"/>
---------	--	--------------------------

SMK Smoke Power Converter

The SMK Smoke Power Converter Module provides a backup power source for two-wire smoke circuits connected to a device loop data circuit. The SMK monitors the operating power from the power supply. When power begins to degrade, the SMK provides the necessary operating voltage to the two-wire smoke detection circuits.

SMK	Smoke Power Converter Module	<input type="checkbox"/>
-----	------------------------------	--------------------------

SUBMIT



Power Supplies

Remote Booster Power Supply



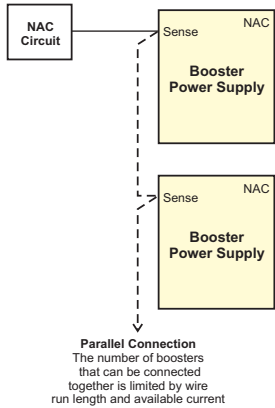
The Remote Booster Power Supply is a self-contained 24 Vdc power supply designed to augment fire alarm audible and visual power requirements as well as provide power for auxiliary, access control and security applications. The booster contains all of the necessary circuits to monitor and charge batteries, control and supervise four Class B or two Class A NAC circuits and monitor two controlling inputs from external sources.

Simple switch selection provides a wide variety of operational configurations. Each remote booster power supply is supplied with its own enclosure providing ample space for additional interface modules and battery compartment.

When used with Genesis Notification appliances, the booster provides the ability to synchronize strobes as well as horn signals. The booster flexibility allows synchronization with upstream devices, or the booster may be used to synchronize downstream devices, as well as other boosters and their connected devices.

MIRBPS notification appliance circuits easily configure for either of two signaling rates: 3-3-3 temporal or continuous. This makes the MIRBPS ideal for applications requiring signaling rates not available from the main panel. It also allows independent setup of a notification appliance circuit without interfering with the main panel and its initiating circuits. In addition to the generated signal rates, the MIRBPS can also be configured to follow the signal rate of the main panel's notification appliance circuit. This allows seamless expansion of existing NACs.

For comprehensive configuration and wiring details, refer to the MIRBPS Application Guide, 85001-0582.



<input type="checkbox"/>	MIRBPS6A	6.5 Amp Booster Power Supply	Data Sheet M85005-0125
<input type="checkbox"/>	MIRBPS6A/230	6.5 Amp Booster Power Supply (220V)	Data Sheet M85005-0125
<input type="checkbox"/>	BPS6CAA	6.5 Amp Booster Power Supply with California rate	Data Sheet M85005-0125
<input type="checkbox"/>	MIRBPS10A	10 Amp Booster Power Supply	Data Sheet M85005-0125
<input type="checkbox"/>	MIRBPS10A/230	10 Amp Booster Power Supply (220V)	Data Sheet M85005-0125
<input type="checkbox"/>	BPS10CAA	10 Amp Booster Power Supply with California rate	Data Sheet M85005-0125
<input type="checkbox"/>	3-TAMP	Tamper switch	Data Sheet M85005-0125

V-Series

Analog Control

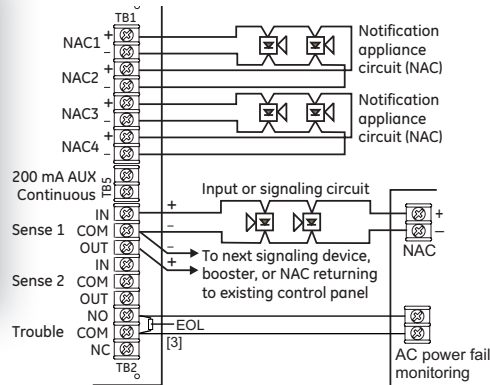
SUBMIT



V-Series
Analog Control



Auxiliary Power Supply (APS)



The Auxiliary Power Supply (APS) is a self-contained 24 Vdc power supply designed to augment fire alarm audible and visual power requirements as well as provide auxiliary power for life safety and security applications. The APS contains all of the necessary circuits to monitor and charge batteries, control and supervise four Class B or two Class A NAC circuits and monitor two controlling inputs from external sources.

APS6A	6.5 Amp Auxiliary Power Supply	Data Sheet M85005-0127	<input type="checkbox"/>
APS6A/230	6.5 Amp Auxiliary Power Supply (220V)	Data Sheet M85005-0127	<input type="checkbox"/>
APS10A	10 Amp Auxiliary Power Supply	Data Sheet M85005-0127	<input type="checkbox"/>
APS10A/230	10 Amp Auxiliary Power Supply (220V)	Data Sheet M85005-0127	<input type="checkbox"/>



Batteries and Battery Cabinets

12 Volt Batteries	<input type="checkbox"/> 12V4A (4.5 Ah)	<input type="checkbox"/> 12V6A5 (7.2 Ah)	<input type="checkbox"/> 12V10A (11 Ah)	Data Sheet M85005-0127	<input type="checkbox"/>
	<input type="checkbox"/> 12V24A (26 Ah)	<input type="checkbox"/> 12V17A (18 Ah)		Data Sheet M85005-0127	
6 Volt Batteries	<input type="checkbox"/> 6V8A (8 Ah)	<input type="checkbox"/> 6V10A (12 Ah)		Data Sheet M85005-0127	<input type="checkbox"/>
Battery Cabinet	<input type="checkbox"/> BC-1 (holds up to two 40 Ah batteries)			Data Sheet M85005-0127	<input type="checkbox"/>

Initiating
Devices

Notification
Appliances

Hazardous Location
Devices

Door Holders
& Relays

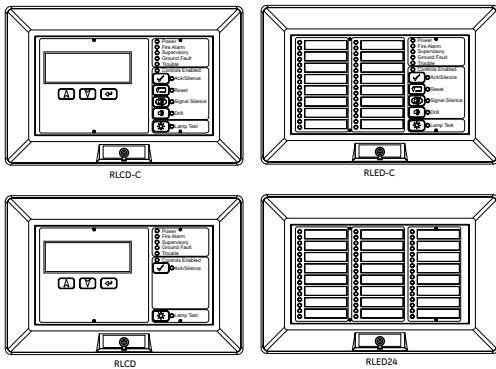
V-Series Analog Control

SUBMIT



Remote annunciation

Edwards R-Series Annunciators are high-performance remote annunciators that provide status indication and common controls for compatible fire alarm control panels, including VS-Series small analog fire alarm systems. This family of annunciators offers LCD or LED annunciation. Models are available with and without common controls.



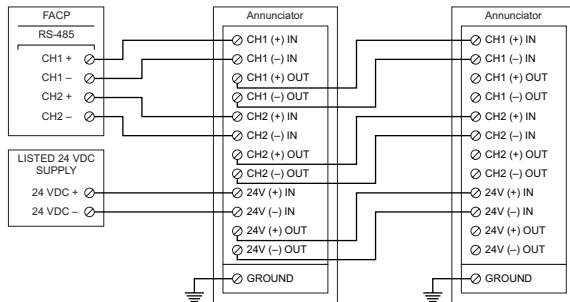
There are three R-Series annunciator models, plus an LED-based expander. Up to two expanders can be connected to any annunciator. The expander includes 24 pairs of LEDs that extend the capabilities of any of the annunciators.

All annunciator models include status LEDs and an internal buzzer. Two models have an LCD text display, and one has 16 pairs of LEDs for zone annunciation. LCD models feature a large back-lit, four by twenty character per line, super-twist liquid crystal display.

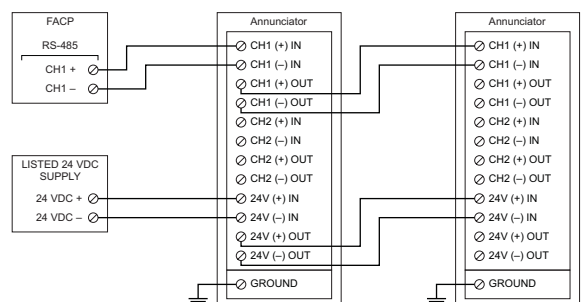
R-Series annunciators and expanders are mounted on a standard 4-inch square electrical box, using the included mounting ring. They can also be surface mounted in locking steel enclosures. Three different enclosures are available.

A keyswitch and graphic annunciator interface is available for R-Series annunciator applications. The keyswitch enables or disables common controls. The graphic annunciator interface cards supports 32 LEDs and 16 switches on the graphic panel display.

Wiring, Class A



Wiring, Class B



LCD Annunciators

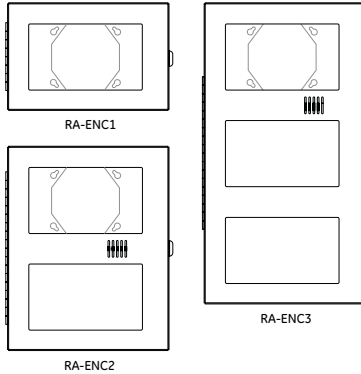
<input type="checkbox"/>	RLCD	LCD text annunciator without common controls. English.	Data Sheet M85005-0128
<input type="checkbox"/>	RLCD-R	LCD text annunciator without common controls. English. Red.	Data Sheet M85005-0128
<input type="checkbox"/>	RLCD-C	LCD text annunciator with common controls. English.	Data Sheet M85005-0128
<input type="checkbox"/>	RLCD-CR	LCD text annunciator with common controls. English. Red.	Data Sheet M85005-0128
<input type="checkbox"/>	RLED-C	16-pair LED zone annunciator with common controls. English.	Data Sheet M85005-0128

LED Annunciators

<input type="checkbox"/>	RLED-CR	16-pair LED zone annunciator with common controls. English. Red.	Data Sheet M85005-0128
<input type="checkbox"/>	RLED24	24-pair LED zone expander with expander cable and zone card insert.	Data Sheet M85005-0128
<input type="checkbox"/>	RLED24R	24-pair LED zone expander with expander cable and zone card insert. Red.	Data Sheet M85005-0128
<input type="checkbox"/>	RKEY	Remote key switch on plate for enabling or disabling common controls (Lock/Unlock).Data Sheet M85005-0128	



Annunciator Enclosures



The RA Remote Annunciator Enclosures provide secure, surface mounted protection for annunciators and extenders. Each consists of a back plate, hinged cover, and key lock. The enclosures are 16-gauge welded steel with a white, painted finish. Each enclosure includes a security lock and two keys. The two- and three-position enclosures have wiring channels for correct routing of interconnections. The enclosures attach to a standard electrical box, and provide a mounting lip that takes the place of the integral mounting ring supplied with the annunciators and expanders.

RA-ENC1	One-position enclosure for Remote Annunciator.	Data Sheet M85005-0128	<input type="checkbox"/>
RA-ENC2	Two-position enclosure for Remote Annunciator and one Remote Expander.	Data Sheet M85005-0128	<input type="checkbox"/>
RA-ENC3	Three-position enclosure for Remote Annunciator and two Remote Expanders.	Data Sheet M85005-0128	<input type="checkbox"/>
LSRA-SB	Surface Mount Box	Data Sheet M85005-0128	<input type="checkbox"/>

Graphic Annunciation

The RA Graphic Annunciator is an interface card that connects the V-Series control panel to the display panel of an LED-based graphic annunciator. The annunciator card supports 32 LEDs on the graphic panel display. It includes status LEDs and an internal buzzer. The graphic interface is supplied with snap track mounting. It is attached to a plastic mounting rail that requires two EIA panels. The annunciator communicates with the control panel on the RS-485 data riser. This can be configured for Class A or Class B communication. The annunciator does not provide ground fault isolation. It is a stand-alone unit that can be powered by the control panel or by an approved power supply.



ENVOY graphic annunciators and smoke control panels are designed to present complex status and control information in an easy to understand package. The design of ENVOY products permits users to rapidly determine system status and easily operate associated system controls.

GCI	Graphic Annunciator Driver	Data Sheet M85005-0128	<input type="checkbox"/>
EV1	Envoy Graphic Annunciator (maximum 96 LEDs)	Data Sheet M85006-0037	<input type="checkbox"/>
EV1B	EV1 Wallbox: textured black finish	Data Sheet M85006-0037	<input type="checkbox"/>
EV1T	EV1 Semi-Flush Trim: textured black finish	Data Sheet M85006-0037	<input type="checkbox"/>
EV2	Envoy Graphic Annunciator (maximum 160 LEDs)	Data Sheet M85006-0037	<input type="checkbox"/>
EV2B	EV2 Wallbox: textured black finish	Data Sheet M85006-0037	<input type="checkbox"/>
EV2T	EV2 Semi-Flush Trim: textured black finish	Data Sheet M85006-0037	<input type="checkbox"/>
EV3	Envoy Graphic Annunciator (maximum 256 LEDs)	Data Sheet M85006-0037	<input type="checkbox"/>
EV3B	EV3 Wallbox: textured black finish	Data Sheet M85006-0037	<input type="checkbox"/>
EV3T	EV3 Semi-Flush Trim: textured black finish	Data Sheet M85006-0037	<input type="checkbox"/>

V-Series Analog Control

SUBMIT

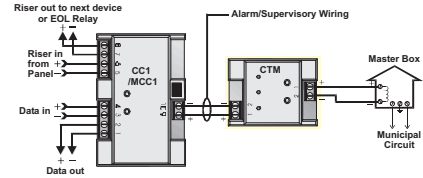


Accessories

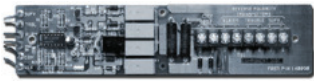


City Tie Module

The City Tie Module provides a simple way of connecting V-Series to a local energy fire alarm box or City Master Box. One CTM provides either supervisory or alarm signaling. To configure both supervisory and alarm signaling, two City Tie modules are required.



<input type="checkbox"/>	CTM	City Tie Module	Data Sheet M85005-0097
--------------------------	-----	-----------------	------------------------



Reverse Polarity Module

Provides three reverse polarity transmitters: one for system common alarm; one for system common trouble; and, one for system common supervisory.

<input type="checkbox"/>	RPM	Reverse Polarity Module	Data Sheet M85005-0097
--------------------------	-----	-------------------------	------------------------



Desktop Serial Printer

The PT-1 series printers are high-speed, nine-pin dot matrix type. It is used to permanently record life safety system changes of state. All printed entries contain the date, time, event type and a user-defined message for each printed event. The printer is required in proprietary systems and requires a backup UPS power source. In auxiliary, local, or remote station systems, the printer is optional.

<input type="checkbox"/>	MIR-PRT/S	Serial Printer	Data Sheet 270020
<input type="checkbox"/>	MIR-PRT/S/220	Serial Printer — 220/240Vac	Data Sheet 270020

V-Series

Analog Addressable Initiating Devices

Edwards Vigilant brand analog addressable detectors are meticulously engineered to deliver high-performance features, superb reliability, and unbeatable quality. With their highly stable design, these detectors resist air movement caused by heating and air conditioning, making them reliable performers ideally suited to modern building interiors.

The installation and maintenance advantages of Vigilant brand analog addressable detectors add value throughout their service life. The twist-and-lock design makes short work of installation and maintenance operations. A plastic breakout on the detector housing optionally prevents removal from the base except with a special tool.

A bright, easy-to-see LED flashes red when the detector is in alarm, thus eliminating much of the guesswork when responding to front-panel indications.

Standard Features

- Optical, heat, and multisensor models available
- Compatible standard, relay, isolator, and audible bases
- Field replaceable optical chamber
- Electronic Addressing including mapping location
- Bases mount to standard North American two-gang or 4" square electrical boxes
- Dual color LED provides at-a-glance alarm indication
- Tamper-resistant feature
- Self diagnostic capability with on-board storage of results
- Optical detectors feature automatic rate compensated sensitivity adjustment, as well as dirty sensor warnings
- Manufactured to strict international ISO 9001 standards
- Assembled using surface mount technology for RF resistance
- Conformally coated components resist dust and humidity
- Automatic detector test
- Low Profile Design

V-Series Device loop

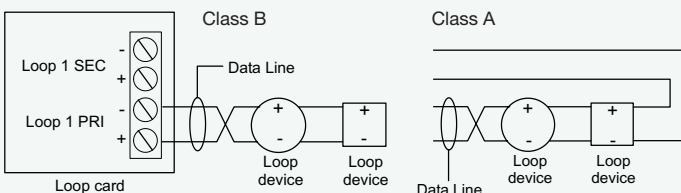
V-Series control panels provide one device loop circuit that supports 125 detectors and 125 module addresses. The VS2 panel can be expanded to provide a second loop by means of the V-SLC loop expansion module.

All loop circuits are supervised for opens, shorts, and grounds.

Circuit specifications

Device loops	1 loop, expandable to 2, Class A or B, each loop supporting up to 250 device addresses
Com. line voltage	Maximum 20 V peek-to-peek
Circuit current	0.5 A max
Circuit impedance	66Ω total, 0.5 μF, max
Isolators	64 maximum

Typical Wiring



See page 4 for details concerning the V-SLC Loop Expansion Module.

All detectors feature comprehensive self-diagnostic capability. V-PS and V-PHS optical detectors continuously adjust their sensitivity to compensate for changes in the environment such as the presence of dirt, smoke, temperature, and humidity. These detectors issue a dirty sensor warning when they reach their preset limit.

SUBMIT



V-Series Detectors



Optical and combination detectors

V-Series optical detectors continuously adjust their sensitivity based on fluctuating environmental conditions such as the presence of dirt, smoke, humidity, or changes in temperature, and notifies the panel of any changes in sensor sensitivity. When the detector has adjusted its sensitivity to its maximum limit, it issues a dirty sensor warning, allowing enough of a margin for maintenance personnel to clean the detector before it goes into trouble condition. These detectors perform comprehensive self-diagnostics and store these details in their on-board memory.

Optical/Fixed Temperature Detector

V-PHS Optical/Fixed Temperature Detector houses an optical sensing chamber that detects smoke, as well as a fixed-temperature sensor that detects heat. The detector analyzes data from both sensors to determine when an alarm is initiated. This combines the suitability of optical sensing for slow burning fires with the sensitivity of fixed-temperature detection for fast flaming fires to arrive at a solution that responds reliably to the widest range of fire types. A sophisticated algorithm processes data from both sensors over time so that an alarm is only reported when conditions precisely match the signature of a fire. This eliminates the shortcomings of single-sensor optical and heat detection, and significantly reduces the risk of nuisance alarms.



V-PHS

Analog Addressable Optical/Fixed Temperature Detector

Data Sheet M85001-0592

Optical Smoke Detector

V-PS Optical Smoke Detector uses an optical sensing chamber to detect smoke. The detector analyzes data gathered by the sensor to determine when an alarm is initiated. Thanks to its high-performance optical sensing chamber, the V-PS responds quickly and reliably to a wide range of fire types, especially slow burning fires fuelled by combustibles typically found in modern multi-use buildings. The V-PS detects extremely small particles and triggers an alarm at the first sign of smoke.



V-PS

Analog Addressable Optical Smoke Detector

Data Sheet M85001-0592

Heat Detectors

Thanks to advanced thermistor technology, V-Series heat detectors are ideal for sensing fast, flaming fires and for applications where smoke detection is inappropriate. They are particularly well-suited to areas such as kitchens and shower rooms, where the ambient temperature is relatively constant, but where steam and smoke are present. These heat detectors are capable of performing comprehensive self-diagnostics and storing the results.



Rate-of-Rise Heat Detector

The V-HRD Rate-of-Rise Heat Detector provides a 15°F (8°C) per minute rate-of-rise heat sensor for the detection of heat due to fire. The heat sensor monitors the temperature of the air and determines whether an alarm should be initiated.



V-HRD

Analog Addressable Rate-of-Rise Heat Detector

Data Sheet M85001-0592

Fixed Temperature Heat Detector

V-HFD Fixed Temperature Heat Detector provides a 135°F (57°C) fixed-temperature heat sensor for the detection of heat due to fire. The heat sensor monitors the temperature of the air and determines whether an alarm should be initiated.



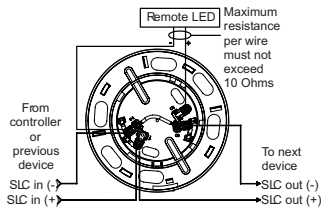
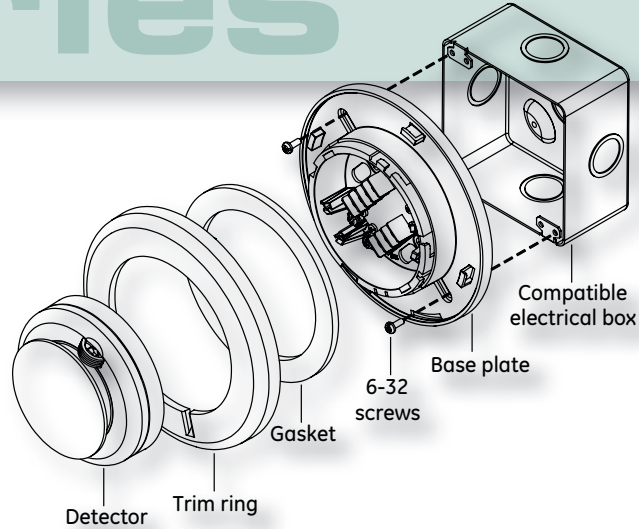
V-HFD

Analog Addressable Fixed Temperature Heat Detector

Data Sheet M85001-0592

V-Series Bases

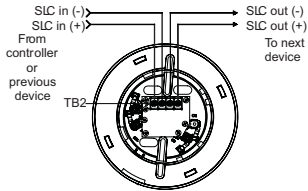
SUBMIT



B4U Standard Base

The B4U Analog Standard Detector Base features twist-and-lock detector installation and is compatible with V-Series analog detectors. The base does not require a separate address because it shares the address of the device it is connected to.

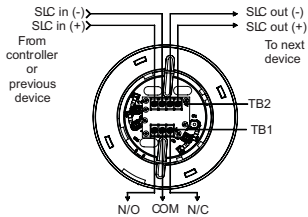
B4U	Standard Base	Data Sheet M85001-0592	<input type="checkbox"/>
-----	---------------	------------------------	--------------------------



IB4U Isolator Detector Base

The IB4U Analog Isolator Detector Base is designed to prevent an entire communications loop from being disabled when a short circuit occurs. This is accomplished by isolating the part of the loop containing the short from the remainder of the circuit. These bases automatically restore the entire loop when the cause of the short circuit is corrected.

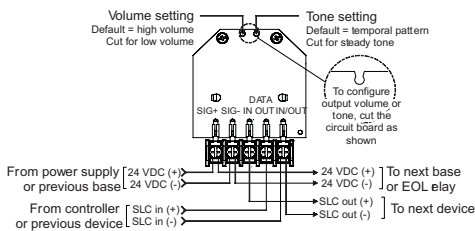
IB4U	Isolator Detector Base	Data Sheet M85001-0592	<input type="checkbox"/>
------	------------------------	------------------------	--------------------------



RB4U Relay Detector Base

The RB4U Analog Relay Detector Base is designed to add relay functionality to the listed compatible detectors. Form C latching relay contacts are included for the control of appliances such as door closers, fans, dampers, etc.

RB4U	Relay Detector Base	Data Sheet M85001-0592	<input type="checkbox"/>
------	---------------------	------------------------	--------------------------



SB4U Audible (Sounder) Detector Base

The SB4U is designed to add an audible output function to compatible detectors. The base can operate as an independent local alarm, or as part of a zone or system alarm with synchronized audible output. The SB4U is field-configurable for output tone (steady or temporal) and output volume (low dBA or high dBA). The base must be connected to a continuous voltage whether the output tone is set to steady or temporal. The base does not require a separate address; it shares the address of the device it is connected to.

SB4U	Audible (Sounder) Detector Base	Data Sheet M85001-0592	<input type="checkbox"/>
------	---------------------------------	------------------------	--------------------------

Accessories

AB4G-SB	Surface Box for Audible Base	Data Sheet M85001-0592	<input type="checkbox"/>
GSA-LED	Remote alarm LED, use with standard base only	Data Sheet M85001-0592	<input type="checkbox"/>

Initiating Devices

Notification Appliances

Hazardous Location Devices

Door Holders & Relays

V-Series Analog Addressable Initiating Devices

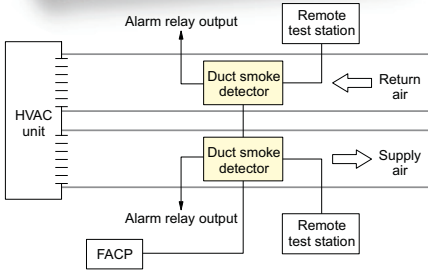
SUBMIT



SuperDuct Duct Detectors

Less than two inches deep, SuperDuct analog addressable smoke detectors are ideal for installation in ductwork, where space is always at a premium. Offering the most advanced and most reliable performance in its class, SuperDuct represents the perfect balance of practical design and advanced technology.

SuperDuct detectors feature a unique design that speeds installation and simplifies maintenance. Removable dust filters, conformally coated circuit boards, and optional water-resistant gaskets keep contaminants away from components, ensuring years of trouble-free service. When cleaning is required, the assemblies come apart easily and snap back together in seconds.



<input type="checkbox"/>	GSA-SD	Analog Addressable SuperDuct Detector			Data Sheet M85001-0584
<input type="checkbox"/>	Sampling Tubes	<input type="checkbox"/> SD-T8 (8")	<input type="checkbox"/> SD-T18 (18")	<input type="checkbox"/> SD-T24 (24")	<input type="checkbox"/> SD-T36 (36")
		<input type="checkbox"/> SD-T42 (42")	<input type="checkbox"/> SD-T60 (60")	<input type="checkbox"/> SD-T78 (78")	<input type="checkbox"/> SD-T120 (120")
<input type="checkbox"/>	Remote Test Stations	<input type="checkbox"/> SD-TRM (magnetic)	<input type="checkbox"/> SD-TRK (keyed)	<input type="checkbox"/> GSA-LED (Remote alarm LED)	
<input type="checkbox"/>	Accessories	<input type="checkbox"/> SD-GSK (cover gasket kit)		<input type="checkbox"/> SD-MAG (Test magnet kit)	
		<input type="checkbox"/> SD-VTK (Air velocity test kit, stoppers only)		<input type="checkbox"/> GSA-SDPCB (PCB sensor kit)	

Addressable initiating

Input/Output Modules

V-Series input/output modules are extremely flexible and powerful devices that gather analog information from the slave devices connected to them and convert this data into digital signals. They are available in models that mount in standard one- or two-gang electrical boxes, as well as versions that plug into UIO motherboards.

The actual function of each module is determined by its installer-selected personality code. This is downloaded to the module from the device controller during system configuration. Because they are intelligent devices, all decisions are made at the module. This allows lower communication speed but very fast control panel response time and less sensitivity to line noise and loop wiring properties. As a result, twisted or shielded wire is not required.

Module mounting and installation options

V-Series input/output modules are available in models that feature two mounting options: standard mount and plug-in.

Standard mount models are installed to North American two-gang or one-gang electrical boxes, making them ideal for locations where only one module is required. Separate I/O and data loop connections are made to each module.

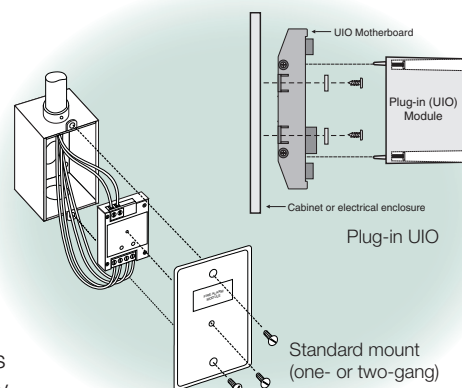
Plug-in UIO modules mount to UIO motherboards. Two- and six-module UIO motherboards are available, making them ideal for installations where more than one module is required. Motherboards can accommodate individual risers for each on-board module, or shared risers in any combination with their UIO modules. All wiring connections are made to terminal blocks on the motherboard. UIO assemblies may be mounted in either cabinets, or standard electrical enclosures.



Standard two-gang mount



Plug-in UIOs with motherboard



SUBMIT



Universal Class A/B Module

The Universal Class A/B Module is used to connect initiating, appliance, or two-wire smoke circuits in either Class A or Class B configurations. The plug-in version can also be used as a Class A dry contact initiating device circuit. The actual function of this module is determined by the “personality code” selected by the installer. Up to fifteen personalities are available.



GSA-UM	Universal Class A/B Module (Two-gang standard mount)	Data Sheet M85001-0275	<input type="checkbox"/>
GSA-MAB	Universal Class A/B UIO (Plug-in) Module	Data Sheet M85001-0275	<input type="checkbox"/>

Class B Input Module

The Class B Input Module is used to connect Class B normally-open Alarm, Supervisory, or Monitor type dry contact initiating device circuits. The standard-mount version is available with either one or two input connections. The plug-in version accepts two input connections. The actual function of this module is determined by the “personality code” selected by the installer. A total of four personalities are available.



GSA-CT1	Single Input Module (One-gang standard mount)	Data Sheet M85001-0241	<input type="checkbox"/>
GSA-CT2	Dual Input Module (One-gang standard mount)	Data Sheet M85001-0241	<input type="checkbox"/>
GSA-MCT2	Dual Input UIO (Plug-in) Module	Data Sheet M85001-0241	<input type="checkbox"/>

Waterflow/Tamper Module

The GSA-WTM Waterflow/Tamper Module is a two circuit intelligent module. Circuit 1 is for Class B normally-open waterflow alarm switches. When the input contact is closed for approximately 16 seconds, an “alarm” signal is sent to the loop controller. Circuit 2 is for Class B normally open dry contact supervisory and tamper switches. When the input contact is closed, an “active” signal is sent to the loop controller. Conditions on both circuits are latched at the module.



GSA-WTM	Waterflow/Tamper Module (One-gang standard mount)	Data Sheet M85001-0297	<input type="checkbox"/>
---------	---	------------------------	--------------------------

Isolator Module

The GSA-IM Isolator Module is an intelligent device that allows part of the data loop to continue operating in the event of a short circuit. The module can be wired into a Class A data loop at any point. A maximum of 96 isolator modules can be installed on one circuit. If a fault occurs, the isolator cuts power to all devices beyond the isolator on the loop. Once activated, the line fault isolator continuously checks the faulted side of the loop to determine if the short still exists. When the fault is cleared, the module automatically restores the entire data loop to its normal condition.



GSA-IM	Fault Isolator Module (Two-gang standard mount)	Data Sheet M85001-0271	<input type="checkbox"/>
--------	---	------------------------	--------------------------

Monitor Module

The GSA-MM1 is a single-circuit intelligent module that includes a Class B normally-open dry contact. This is used for monitoring input from devices such as fans, dampers, and doors. When the input contact is closed, an “active” signal is sent to the loop controller. The active condition is not latched at the module.



GSA-MM1	Monitor Module (One-gang standard mount)	Data Sheet M85001-0297	<input type="checkbox"/>
---------	--	------------------------	--------------------------

Initiating
Devices

Notification
Appliances

Hazardous Location
Devices

Door Holders
& Relays

V-Series Analog Addressable Initiating Devices

SUBMIT



Signal Module

The Signal Module is used to connect, upon command from the loop controller, supervised Class B signal or telephone circuits to their respective power inputs. Models are available with one or two power inputs. These may be either polarized 24 Vdc to operate audible and visual signal appliances, or 25 and 70V_{RMS} to operate audio evacuation speakers and firefighter's telephones. The actual function of this module is determined by the "personality code" selected by the installer. A total of three personalities are available.



<input type="checkbox"/>	GSA-CC1	Single Input Signal Module (Two-gang standard mount)	Data Sheet M85001-0237
<input type="checkbox"/>	GSA-MCC1	Single Input Signal UIO (Plug-in) Module	Data Sheet M85001-0237
<input type="checkbox"/>	GSA-CC2	Dual Input Signal Module (Two-gang standard mount)	Data Sheet M85001-0237
<input type="checkbox"/>	GSA-MCC2	Dual Input Signal UIO (Plug-in) Module	Data Sheet M85001-0237

Control Relay Module

The Control Relay Module provides a Form C dry relay contact to control external appliances such as door closers, fans, dampers etc. This device does not provide supervision of the state of the relay contact. Instead, the on-board microprocessor ensures that the relay is in the proper ON/OFF state. Upon command from the loop controller, the relay activates the normally open or normally-closed contact. This module supports only one personality: no user configuration is required.



<input type="checkbox"/>	GSA-CR	Control Relay Module (One-gang standard mount)	Data Sheet M85001-0239
<input type="checkbox"/>	GSA-MCR	Control Relay UIO (Plug-in) Module	Data Sheet M85001-0239

Polarity Reversal Relay Module

The Polarity Reversal Relay Module provides a Form C dry relay contact to power and activate a series of GSA-AB4 Audible Sounder Bases. Upon command from the loop controller, the GSA-CRR reverses the polarity of its 24 Vdc output, thus activating all Sounder Bases on the data loop. This module supports only one personality: no user configuration is required.



<input type="checkbox"/>	GSA-CRR	Polarity Reversal Relay Module (One-gang standard mount)	Data Sheet M85001-0239
<input type="checkbox"/>	GSA-MCRR	Polarity Reversal Relay UIO (Plug-in) Module	Data Sheet M85001-0239

Synchronization Output Module

The Synchronization Output Module is an analog addressable device that connects a supervised output circuit to a 24 Vdc riser. The output wiring is monitored for open circuits and short circuits. A short circuit will cause the fire alarm control panel to inhibit the activation of the audible/visual signal circuit so the riser is not connected to the wiring fault. Upon command from the loop controller, the Auto-Sync Output Module connects the output circuit to the riser input.



<input type="checkbox"/>	GSA-CC1S	Synchronization Output Module (One-gang standard mount)	Data Sheet M85001-0543
<input type="checkbox"/>	GSA-MCC1S	Synchronization Output UIO (Plug-in) Module	Data Sheet M85001-0543

Input/Output Module

The Input/Output Module is an intelligent device that provides

- Output with monitor input
- Input/programmable output
- Input/direct output



<input type="checkbox"/>	GSA-IO	Input/Output Module (One-gang standard mount)	Data Sheet M85001-0533
<input type="checkbox"/>	GSA-MIO	Input/Output UIO (Plug-in) Module	Data Sheet M85001-0533

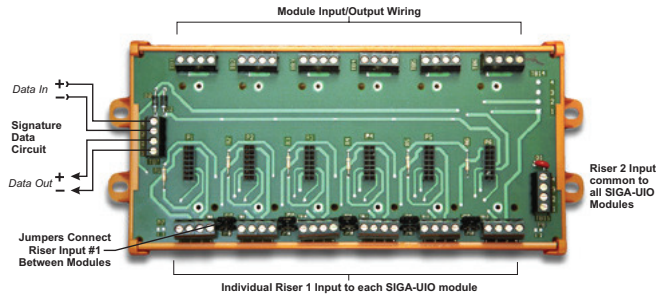
V-Series Analog Control

Initiating Devices

SUBMIT



Universal Input/Output (UIO) Motherboards



Universal Input/Output Module Motherboards provide mounting and wiring terminations for up to six plug-in UIO (GSA-“M” series) modules. UIO motherboards snap into a rigid extruded track (included) with mounting pads for convenient mounting into a variety of equipment enclosures. UIO modules plug into the board and are held securely in place with captive machine screws. All field wiring connects to terminal blocks on the motherboard, which permits rapid removal and replacement of modules for troubleshooting.

The GSA-UIO2R provides riser mounting and wiring terminations for up to two UIO modules, and the GSA-UIO6R provides mounting and wiring terminations for up to six UIO modules. Both motherboards feature a riser #1 input and a riser #2 input bus. Jumpers on riser #1 input (between modules), facilitate sharing a single riser among more than one module. This significantly reduces wiring requirements. Removing the jumpers provides separate riser inputs to each adjacent module. Riser #2 input is fixed to each module position and cannot be split. UIO motherboards mount inside the MFC-A cabinet or other suitable UL-listed electrical enclosure. Each MFC-A will hold one UIO2R motherboard or one UIO6R motherboard complete with their full complement of modules.

GSA-UIO2R	Universal Input/Output Module Board with Riser Inputs — 2 Module Positions	Data Sheet M85001-0365	<input type="checkbox"/>
GSA-UIO6R	Universal Input/Output Module Board with Riser Inputs — 6 Module Positions	Data Sheet M85001-0365	<input type="checkbox"/>
GSA-UIO6	Universal Input/Output Module Board — 6 Module Positions	Data Sheet M85001-0365	<input type="checkbox"/>

Related Equipment



MFC-A	Multi-function Cabinet (for UIO and Releasing modules)	<input type="checkbox"/>
27193-11	Surface Mount Box - Red, One-gang	<input type="checkbox"/>
27193-16	Surface Mount Box - White, One-gang	<input type="checkbox"/>
27193-21	Surface Mount Box - Red, Two-gang	<input type="checkbox"/>
27193-26	Surface Mount Box - White, Two-gang	<input type="checkbox"/>
235196P	Bi-polar Transient Protector (use with all Signal Modules)	<input type="checkbox"/>
GSA-MP1	Module Mounting Plate, 1 footprint	<input type="checkbox"/>
GSA-MP2	Module Mounting Plate, 1/2 footprint	<input type="checkbox"/>
GSA-MP2L	Module Mounting Plate, 1/2 extended footprint	<input type="checkbox"/>

Initiating Devices

Notification Appliances

Hazardous Location Devices

Door Holders & Relays

V-Series Analog Addressable Initiating Devices

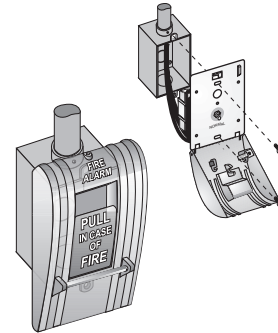
SUBMIT



Addressable initiating

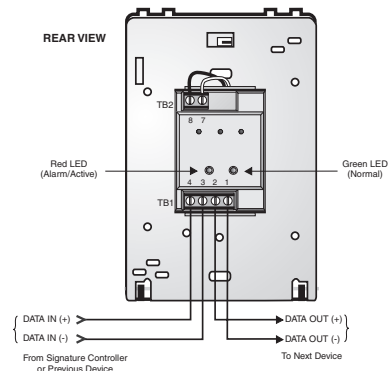
Manual Pull Stations

Vigilant manual pull stations are configured for Class B IDC operation. When the station's pull lever is operated, an alarm signal is sent to the loop controller. The alarm condition is latched at the station.



Single Action Pull Stations

GSA-M270 series manual pull stations are made from die-cast zinc and finished with red epoxy powder-coat paint. With positive pull-lever operation, one pull on the station handle breaks the rod and turns in a positive alarm. Where two-stage operation is required, GSA-M270P pre-signal models are equipped with a general alarm (GA) keyswitch.

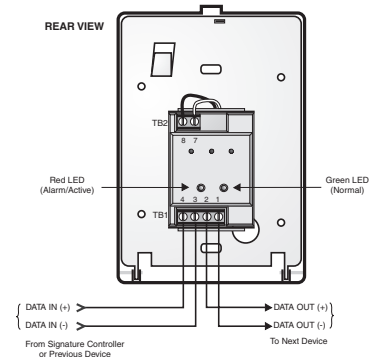


<input type="checkbox"/>	GSA-M270	One Stage Fire Alarm Station, English Markings	Data Sheet M85001-0279
<input type="checkbox"/>	GSA-M270P	Two Stage (Pre-signal) Fire Alarm Station, English Markings	Data Sheet M85001-0279
<input type="checkbox"/>	276-K2	GA Key — for pre-signal station	Data Sheet M85001-0279
<input type="checkbox"/>	270-GLR	20 Break-rods — for GSA-M270 series	Data Sheet M85001-0279
<input type="checkbox"/>	276B-RSB	Surface Mount Box, Red — for GSA-M270 series	Data Sheet M85001-0279



Double Action Pull Stations

The double action, single stage GSA-M278 station is a contemporary style manual station made from durable red LEXAN. To initiate an alarm, first lift the upper door, then pull the alarm handle.



<input type="checkbox"/>	GSA-M278	Double Action (One Stage) Fire Alarm Station, English Markings	Data Sheet M85001-0279
<input type="checkbox"/>	276B-RSB	Surface Mount Box, Red — for GSA-M278 series	Data Sheet M85001-0279
<input type="checkbox"/>	276-GLR	20 Break-rods — for GSA-M278 series	Data Sheet M85001-0279

SUBMIT



Manual Station Relocator

The Manual Station Relocator is designed to lower the height of a fire alarm pull station to meet ADA requirements. Most existing pull stations are mounted 60 inches (1524mm) or higher above the floor. The Relocator lowers the height to 48 inches (1220mm) without the need for pulling new wires or moving the existing electrical box.



RR-32RL	Pull Station Relocator	Data Sheet M85001-0351	<input type="checkbox"/>
---------	------------------------	------------------------	--------------------------



Stopper II

This unique device helps prevent false alarms without restricting legitimate ones. It consists of a tamper-proof clear LEXAN polycarbonate shield and frame that fits easily over manual pull stations. When lifted, it sounds a piercing warning horn.

<input type="checkbox"/> STI-1100 (Flush)	<input type="checkbox"/> STI-1130 (Surface)	Stopper II with Horn	Data Sheet M85001-0491	<input type="checkbox"/>
<input type="checkbox"/> STI-1200 (Flush)	<input type="checkbox"/> STI-1230 (Surface)	Stopper II without Horn	Data Sheet M85001-0491	<input type="checkbox"/>
<input type="checkbox"/> STI-3100 (2" Spacer)	<input type="checkbox"/> STI-3004 (Conduit Insert)	Spacers	Data Sheet M85001-0491	<input type="checkbox"/>
<input type="checkbox"/> STI-3002 (Gasket)	<input type="checkbox"/> STI-3003 (Conduit Gasket)	Weatherproofing	Data Sheet M85001-0491	<input type="checkbox"/>

Initiating
Devices

Notification
Appliances

Hazardous Location
Devices

Door Holders
& Relays

V-Series

Analog Addressable Initiating Devices

SUBMIT



V-Series
Analog Control

Initiating
Devices

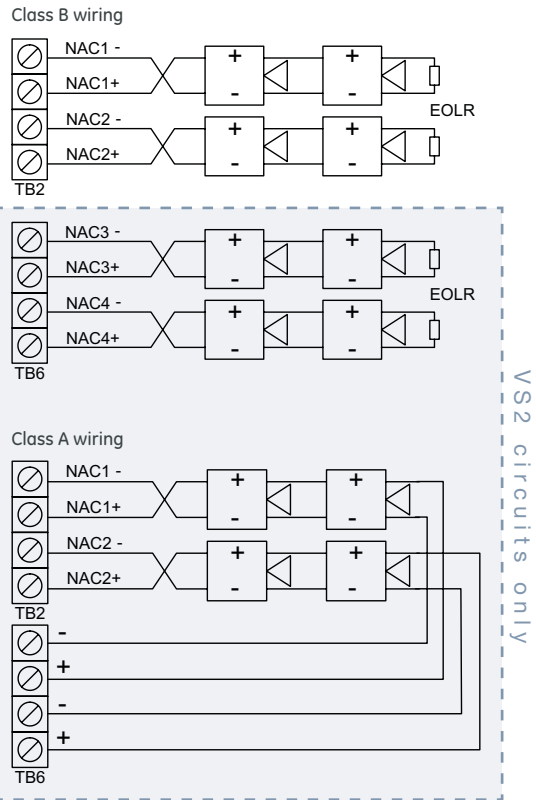
- Wall Strobes, Horns & Chimes p. 22
- Ceiling Speakers, Horns, and Strobes p. 23
- Wall Speakers and Speaker-strobes p. 24
- Audible Signals p. 25
- Harsh Environment Signals p. 26
- Audio Notification System p. 27
- Accessories p. 28

Notification Appliances

Edwards notification appliances are high-performance devices finely tuned to deliver maximum output in exchange for the lowest possible current draw. Covering the entire spectrum of life safety applications, these devices are durable, dependable, and virtually maintenance-free. And they support a wide range of mounting options that make them ideal for new construction and retrofit applications alike.

VS2 control panels come equipped with four notification appliance circuits that can be wired to provide four Class B NACs or two Class A NACs. The VS1 comes with two Class B NACs. These may be configured for Class A operation with the optional SA-CLA Class A Module installed. V-Series NACs may be individually configured for continuous, temporal, synchronized, and coded output.

V-Series NACs are configurable to fully support the advanced signaling technology of Edwards Genesis and Enhanced Integrity notification appliances. These devices offer precision synchronization of strobes to UL 1971 standards. For Genesis devices, enabling this feature allows connected horns to be silenced while strobes on the same two-wire circuit continue to flash until the panel is reset.



V-Series Notification Appliances

SUBMIT



Genesis Series

Wall Strobes, Horns & Chimes

The Genesis line of signals are among the smallest, most compact audible-visible emergency signaling devices in the world. About the size of a deck of playing cards, these devices are designed to blend with any decor. They feature textured housings in architecturally neutral white or traditional fire red. An ingenious iconographic symbol indicates the purpose of the device. This universal symbol is code-compliant and is easily recognized by all building occupants regardless of what language they speak. Models with "FIRE" markings are also available.



Genesis strobes offer 15 to 110 candela output, which is selectable with a conveniently-located switch on the side of the device. The candela output setting remains clearly visible even after final installation, yet it stays locked in place to prevent unauthorized tampering.

<input type="checkbox"/>	MG1-VM	Strobe (selectable 15, 30, 75, or 110 cd output), white	Data Sheet M85001-0573
<input type="checkbox"/>	MG1R-VM	Strobe (selectable 15, 30, 75, or 110 cd output), red	Data Sheet M85001-0573
<input type="checkbox"/>	MG1F-V1575	Strobe (fixed 15/75 cd output), white	Data Sheet M85001-0573
<input type="checkbox"/>	MG1RF-V1575	Strobe (fixed 15/75 cd output), red	Data Sheet M85001-0573

Genesis Horns and Horn-strobes reach output levels as high as 99 dB and features a unique multiple frequency tone that results in excellent wall penetration and an unmistakable warning of danger. Horns may be configured for either coded or non-coded signal circuits. They can also be set for low dB output with a jumper cut that reduces horn output by about 5 dB.

<input type="checkbox"/>	MG1-HDVM	Horn-Strobe (15, 30, 75, or 110 cd output, high or low dB), white	Data Sheet M85001-0573
<input type="checkbox"/>	MG1R-HDVM	Horn-Strobe (15, 30, 75, or 110 cd output, high or low dB), white	Data Sheet M85001-0573
<input type="checkbox"/>	MG1F-HDV1575	Horn-Strobe (fixed 15/75 cd output, high or low dB), white	Data Sheet M85001-0573
<input type="checkbox"/>	MG1RF-HDV1575	Horn-Strobe (fixed 15/75 cd output, high or low dB), red	Data Sheet M85001-0573
<input type="checkbox"/>	MG1-HD	Temporal Horn (high or low dB output), white	Data Sheet M85001-0573
<input type="checkbox"/>	MG1R-HD	Temporal Horn (selectable high or low dB output), red	Data Sheet M85001-0573
<input type="checkbox"/>	MG1-P	Steady Horn (not compatible with Genesis Signal Master), white	Data Sheet M85001-0573
<input type="checkbox"/>	MG1R-P	Steady Horn (not compatible with Genesis Signal Master), red	Data Sheet M85001-0573

Genesis chimes and chime-strobes produce a pleasing mellow tone. When steady (non-stroked) voltage is applied, the chime automatically pulses at 60 strokes per minute, or may be field-configured for temporal output. When installed with a GIM Signal Master Module, the chime may also be field-configured for coded operation, which enables the chime output to match the rate that voltage is applied to the circuit. The chime's 79 dBA (peak) output level makes this device suitable for many applications. Chimes may be set for low dB output with a jumper cut that reduces sound output by about 5 dB.

<input type="checkbox"/>	MG1-CVM	Genesis Chime-Strobe (15, 30, 75, or 110 cd output, high or low dB), white	Data Sheet M85001-0574
<input type="checkbox"/>	MG1R-CVM	Genesis Chime-Strobe (15, 30, 75, or 110 cd output, high or low dB), red	Data Sheet M85001-0574
<input type="checkbox"/>	MG1-C	Genesis Chime (selectable high or low dB output), white	Data Sheet M85001-0574
<input type="checkbox"/>	MG1R-C	Genesis Chime (selectable high or low dB output), red	Data Sheet M85001-0574



Optional trim plates available in red and white



Housings with optional "FIRE" markings

To specify housings with "FIRE" markings, insert an "F" before the hyphen in the model number. For submittal purposes, write an "F" in the Submit box instead of placing a checkmark there.

<input type="checkbox"/>	MG1T-FIRE	Genesis Trim Plate (for 2-gang or 4" square boxes) with "FIRE" markings, white	Data Sheet M85001-0573
<input type="checkbox"/>	MG1RT-FIRE	Genesis Trim Plate (for 2-gang or 4" square boxes) with "FIRE" markings, red	Data Sheet M85001-0573

V-Series Notification Appliances

Genesis Series

Ceiling Speakers, Horns, and Strobes

The new Genesis line of multi-candela and multi-wattage ceiling signals feature all the hallmarks that have made Genesis products a big hit with designers, engineers, building owners, and installers everywhere. Vigilant's exclusive FullLight technology, precision timing electronics, and low current draw bring the benefits of the popular Genesis wall-mount models to ceiling applications. These signals are 30 per cent slimmer than comparable signals on the market. They are compatible with standard 4-inch (10 cm) square electrical boxes and don't require extension rings or trim plates. No mounting screws are visible when the unit is installed, providing a clean, finished, unobtrusive appearance that blends with any decor. These signals are also listed for wall mount applications.



Select 15/30/75/95 and 95/115/150/177 candela output!

177

Select ¼, ½, 1, or 2 watt operation!

2

White Field configurable Speaker-Strobes may be ordered with or without "FIRE" marking. Red Speaker-Strobes come with "FIRE" marking.



SUBMIT



White housing ↓ no "FIRE"	White housing ↓ with "FIRE"	Red housing ↓ with "FIRE"			
<input type="checkbox"/> MGC-S2	<input type="checkbox"/> MGCF-S2	<input type="checkbox"/> MGCFR-S7	Multi-wattage 25 V Speaker	Data Sheet M85001-0558	<input type="checkbox"/>
<input type="checkbox"/> MGC-S7	<input type="checkbox"/> MGCF-S7	<input type="checkbox"/> MGCFR-S7	Multi-wattage 70 V Speaker	Data Sheet M85001-0558	<input type="checkbox"/>
<input type="checkbox"/> MGC-S2VM	<input type="checkbox"/> MGCF-S2VM	<input type="checkbox"/> MGCFR-S2VM	Multi-cd/wattage 25 V Spkr-strobe	Data Sheet M85001-0556	<input type="checkbox"/>
<input type="checkbox"/> MGC-S2VMH	<input type="checkbox"/> MGCF-S2VMH	<input type="checkbox"/> MGCFR-S2VMH	Multi High-cd/wattage 25 V Spkr-strobe	Data Sheet M85001-0556	<input type="checkbox"/>
<input type="checkbox"/> MGC-S7VM	<input type="checkbox"/> MGCF-S7VM	<input type="checkbox"/> MGCFR-S7VM	Multi-cd/wattage 70 V Spkr-strobe	Data Sheet M85001-0556	<input type="checkbox"/>
<input type="checkbox"/> MGC-S7VMH	<input type="checkbox"/> MGCF-S7VMH	<input type="checkbox"/> MGCFR-S7VMH	Multi High-cd/wattage 70 V Spkr-strobe	Data Sheet M85001-0556	<input type="checkbox"/>
<input type="checkbox"/> MGC-VM	<input type="checkbox"/> MGCF-VM	<input type="checkbox"/> MGCFR-VM	Multi-cd Strobe	Data Sheet M85001-0557	<input type="checkbox"/>
<input type="checkbox"/> MGC-VMH	<input type="checkbox"/> MGCF-VMH	<input type="checkbox"/> MGCFR-VMH	Multi High-cd Strobe	Data Sheet M85001-0557	<input type="checkbox"/>
<input type="checkbox"/> MGC-HDVM	<input type="checkbox"/> MGCF-HDVM	<input type="checkbox"/> MGCFR-HDVM	Multi-cd Horn-Strobe	Data Sheet M85001-0559	<input type="checkbox"/>
<input type="checkbox"/> MGC-HDVMH	<input type="checkbox"/> MGCF-HDVMH	<input type="checkbox"/> MGCFR-HDVMH	Multi High-cd Horn-Strobe	Data Sheet M85001-0559	<input type="checkbox"/>

All speakers feature selectable ¼, ½, 1, or 2 watt operation. All horns feature high or low dB output. Multi-Candela Strobes feature 15, 30, 75, or 95 candela output. Multi High-Candela Strobes feature 95, 115, 150, or 177 candela output.

Signal Master

The Signal Master is a simple-to-use accessory that adds enhanced features to Genesis and Integrity strobes and Horn-Strobes. It is a dual-purpose module that provides UL 1971 required precision synchronization for connected Integrity and Genesis strobes, and independent control for connected Genesis Horns over a single pair of wires. Two methods of Horn control are available: traditional Horn silence; or, normally-closed contact. Both methods may be used to silence horns without turning off strobes on the same circuit. Two models are available. The Genesis "piggyback" model doesn't require a separate electrical box. It simply snaps to the back of the first G1 signal on the circuit. The remote mount model mounts in a North American 2½ inch (64 mm) deep one-gang box. iO panels provide the same functionality as the Signal Master when Genesis Mode is enabled.



Snap-on (piggyback) model



Remote 1-gang mount model

MG1M	Genesis Signal Master – Snap-on (piggyback)	Data Sheet M85001-0545	<input type="checkbox"/>
MG1M-RM	Genesis Signal Master – Remote 1-Gang Mount	Data Sheet M85001-0545	<input type="checkbox"/>

Notification Appliances

Hazardous Location Devices

Door Holders & Relays

V-Series Notification Appliances

SUBMIT

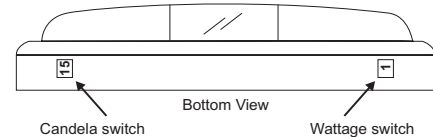


Genesis Series

Wall Speakers and Speaker-strobes

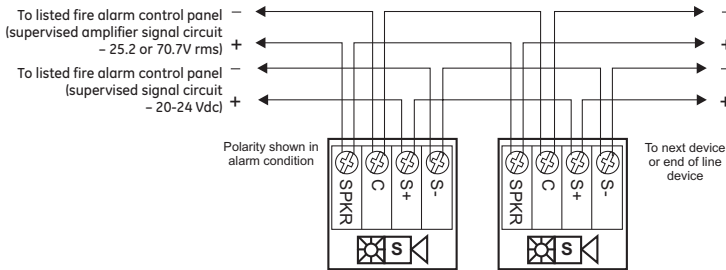
Genesis speakers include a DC blocking capacitor to allow electrical supervision of the audio distribution circuit. Models for 25 V_{RMS} and 70 V_{RMS} circuits are available. The mylar speaker with its sealed back construction provides extra durability and improved audibility. ¼ W to 2 W operation is selectable with a conveniently-located switch on the bottom of the device.

Speaker-strobes feature 15, 30, 75 or 110 candela output, selectable with a conveniently-located switch on the bottom of the device.



Candela and wattage settings remain clearly visible even after final installation.

#18 - #12 AWG terminals – ideal for long runs, existing wiring



Genesis speakers are available with white or red housings and with or without FIRE markings.

Genesis Speakers and speaker-strobes

<input type="checkbox"/>	<input type="checkbox"/> MG4-S2 (white)	<input type="checkbox"/> MG4R-S2 (red)	Multi-wattage 25 Volt Speaker	Data Sheet M85001-0549
<input type="checkbox"/>	<input type="checkbox"/> MG4-S2VM (white)	<input type="checkbox"/> MG4R-S2VM (red)	Multi-candela/wattage 25 Volt Speaker-strobe	Data Sheet M85001-0549
<input type="checkbox"/>	<input type="checkbox"/> MG4F-S2V1575 (white)	<input type="checkbox"/> G4RF-S2V1575 (red)	15/75 cd, multi-wattage 25 Volt Speaker-strobe	Data Sheet M85001-0549
<input type="checkbox"/>	<input type="checkbox"/> MG4-S7 (white)	<input type="checkbox"/> MG4R-S7 (red)	Multi-wattage 70 Volt Speaker	Data Sheet M85001-0549
<input type="checkbox"/>	<input type="checkbox"/> MG4-S7VM (white)	<input type="checkbox"/> MG4R-S7VM (red)	Multi-candela/wattage 70 Volt Speaker-strobe	Data Sheet M85001-0549
<input type="checkbox"/>	<input type="checkbox"/> MG4B (white)	<input type="checkbox"/> MG4RB (red)	Surface mount box	Data Sheet M85001-0549
<input type="checkbox"/>	<input type="checkbox"/> MG4F-S7V1575 (white)	<input type="checkbox"/> G4RF-S7V1575 (red)	15/75 cd, multi-wattage 70 Volt Speaker-strobe	Data Sheet M85001-0549

All speakers feature selectable ¼, ½, 1, or 2 watt operation. Multi-candela strobes feature 15, 30, 75, or 110 candela output. 15/75 cd models are available with FIRE markings only.



Audible Signals



Fire Alarm Bells

Edwards fire alarm bells are of the underdome type with heavy-duty mechanisms. Gongs are made of selected alloy steel to generate the loud, resonant tones. For weatherproof application, optional surface weatherproof backboxes are available.

<input type="checkbox"/>	74328U	6-inch Vibrating, Diode — 20-24Vdc, Red	Data Sheet M85001-0333	<input type="checkbox"/>
<input type="checkbox"/>	74330U	10-inch Vibrating, Diode — 20-24Vdc, Red	Data Sheet M85001-0333	<input type="checkbox"/>



Multiple Tone Signal

The 5530MD-24AW is a weatherproof heavy-duty industrial, tone-selectable, signaling device capable of producing volume-controlled, high-decibel tones. It uses a microprocessor circuit to create 27 distinctive tones. A single tone may be selected by setting a miniature dip switch within the unit.

<input type="checkbox"/>	5530MD-24AW	27-Tone Selectable Signal — 24Vdc	Data Sheet M85001-0415	<input type="checkbox"/>
--------------------------	-------------	-----------------------------------	------------------------	--------------------------



Multi-purpose Loudspeaker

The HPSA15 loudspeaker is a high-efficiency double re-entrant loudspeaker that operates within a nominal frequency response range of 400-14,000 Hz, and provides audible output of 120 dB (peak at one meter) at the rated power level. It includes a versatile, three-way, 25/70.7 V line transformer that meets a variety of distributed system needs. The transformer is adjustable by means of a convenient seven-position, watts/impedance selection switch.

<input type="checkbox"/>	HPSA15R2570	15-watt loudspeaker, red	Data Sheet M85001-0591	<input type="checkbox"/>
<input type="checkbox"/>	HPSA15G2570	15-watt loudspeaker, gray	Data Sheet M85001-0591	<input type="checkbox"/>

V-Series Notification Appliances

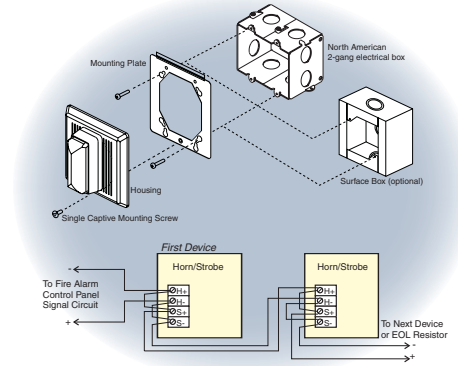
SUBMIT



Enhanced Integrity Series

Harsh Environment Signals

All Enhanced Integrity devices are UL 1971 listed for both wall and ceiling orientation. Enhanced Integrity strobes meet the latest UL1971 synchronization requirements when used with the MG1M Signal Master. Integrity devices are shipped with wall mount style "FIRE" lens markings. Other lens markings are available.



Temporal Horns and Horn-Strobes

During installation, the Horn is configured for steady or temporal tone signal. When temporal output is selected, all Horns on a common two-wire circuit are self-synchronized. Integrity Series Horns emit a low frequency "growling" tone that demands attention. Horns can be configured for either high output (98 dBA) or low output (94 dBA); and are listed for outdoor use.

<input type="checkbox"/>	<input type="checkbox"/> INT-T (Red)	<input type="checkbox"/> INT-TW (White)	Temporal Horn	Data Sheet M85001-0341
<input type="checkbox"/>	<input type="checkbox"/> INT-7AT (Red)	<input type="checkbox"/> INT-7ATW (White)	Temporal Horn-Strobe, 15/75cd	Data Sheet M85001-0341
<input type="checkbox"/>	<input type="checkbox"/> INT-8AT (Red)	<input type="checkbox"/> INT-8ATW (White)	Temporal Horn-Strobe, 110cd	Data Sheet M85001-0341



4" Square Box Mount Strobes

4MS Series strobes are self-synchronized to flash at one fps across their full operating voltage range. UL 1971 synchronization requirements are achieved when used with the MG1M Signal Master (see page 43). Strobes must be connected to signal circuits that output a constant (not pulsed) voltage. A diode is used to allow full signal circuit supervision. 4MS Series strobes are suitable for outdoor use and installed to a standard four-inch square electrical box.

<input type="checkbox"/>	<input type="checkbox"/> 4MS-5AR (Red)	<input type="checkbox"/> 4MS-5AW (White)	Strobe - 15 cd	Data Sheet M85001-0305
<input type="checkbox"/>	<input type="checkbox"/> 4MS-7AR (Red)	<input type="checkbox"/> 4MS-7AW (White)	Strobe - 15/75	Data Sheet M85001-0305
<input type="checkbox"/>	<input type="checkbox"/> 4MS-3AR (Red)	<input type="checkbox"/> 4MS-3AW (White)	Strobe - 30 cd	Data Sheet M85001-0305
<input type="checkbox"/>	<input type="checkbox"/> 4MS-6AR (Red)	<input type="checkbox"/> 4MS-6AW (White)	Strobe - 60 cd	Data Sheet M85001-0305
<input type="checkbox"/>	<input type="checkbox"/> 4MS-8AR (Red)	<input type="checkbox"/> 4MS-8AW (White)	Strobe - 110 cd	Data Sheet M85001-0305
<input type="checkbox"/>	<input type="checkbox"/> CS405-7A-T (15/75 cd)	<input type="checkbox"/> CS405-8A-T (110 cd)	Strobe - Weatherproof (red)	Data Sheet M85001-0305



Re-Entrant Speakers and Speaker-Strobes

Re-entrant speakers feature a sealed, high efficiency compression driver that's both weatherproof and vermin proof. This makes them ideal for public places and outdoor areas such as parking garages and transport terminals. All Integrity speakers include a DC Blocking Capacitor that permits electrical supervision of the audio distribution circuit. Models for 25V_{RMS} and 70V_{RMS} circuits are available.

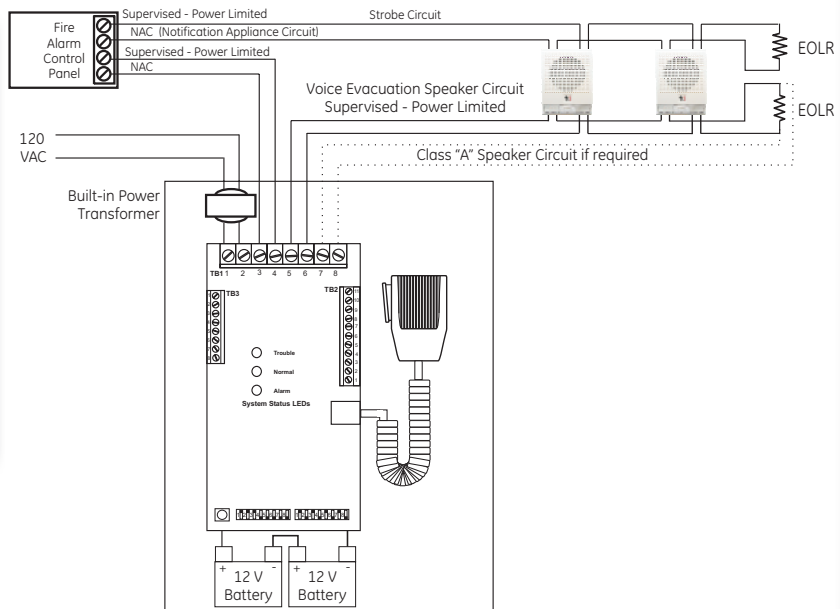
<input type="checkbox"/>	<input type="checkbox"/> INT-R2 (Red)	<input type="checkbox"/> INT-R2W (White)	25 V Re-entrant Speaker	Data Sheet M85001-0317
<input type="checkbox"/>	<input type="checkbox"/> INT-7AR2 (Red)	<input type="checkbox"/> INT-7AR2W (White)	25 V Re-entrant Speaker-Strobe, 15/75cd	Data Sheet M85001-0317
<input type="checkbox"/>	<input type="checkbox"/> INT-3AR2 (Red)	<input type="checkbox"/> INT-3AR2W (White)	25 V Re-entrant Speaker-Strobe, 30cd	Data Sheet M85001-0317
<input type="checkbox"/>	<input type="checkbox"/> INT-8AR2 (Red)	<input type="checkbox"/> INT-8AR2W (White)	25 V Re-entrant Speaker-Strobe, 110cd	Data Sheet M85001-0317
<input type="checkbox"/>	<input type="checkbox"/> INT-R (Red)	<input type="checkbox"/> INT-RW (White)	70 V Re-entrant Speaker	Data Sheet M85001-0317
<input type="checkbox"/>	<input type="checkbox"/> INT-7AR (Red)	<input type="checkbox"/> INT-7ASW (White)	75 V Re-entrant Speaker-Strobe, 15/75cd	Data Sheet M85001-0317
<input type="checkbox"/>	<input type="checkbox"/> INT-3AR (Red)	<input type="checkbox"/> INT-3ARW (White)	75 V Re-entrant Speaker-Strobe, 30cd	Data Sheet M85001-0317
<input type="checkbox"/>	<input type="checkbox"/> INT-8AR (Red)	<input type="checkbox"/> INT-8ARW (White)	75 V Re-entrant Speaker-Strobe, 110cd	Data Sheet M85001-0317



Audio Notification System

The ANS series of products from Edwards are high-performance audio notification systems that provide voice evacuation capability that meet the Emergency Voice Alarm requirements of NFPA 72 for UL listed fire alarm applications. ANS panels, which are available in 25, 50, or 100 Watt models, include an amplifier, tone generator, digital message repeater (DMR), and supervisory interface.

These self-contained systems offer robust field-configurable features and are supported by a wide range of accessory equipment that provides application flexibility and reliable performance for new and retrofit installations alike. Expander panels and modules extend the range of the ANS system to meet the needs of even the most demanding audio applications, while accessory equipment such as zone switchers and remote microphones offer the sophistication of high-end systems for a relatively low cost.



Audio Notification Panels

Panels include DMR, temporal pattern, standard message, microphone, power supply and battery charger.

ANS25MDG	25 Watt Audio Notification Panel. Gray Cabinet.	Data Sheet M85001-0587	<input type="checkbox"/>
ANS25MDR	25 Watt Audio Notification Panel. Red Cabinet.	Data Sheet M85001-0587	<input type="checkbox"/>
ANS50MDG	50 Watt Audio Notification Panel. Gray Cabinet.	Data Sheet M85001-0587	<input type="checkbox"/>
ANS50MDR	50 Watt Audio Notification Panel. Red Cabinet.	Data Sheet M85001-0587	<input type="checkbox"/>
ANS100MDG	100 Watt Audio Notification Panel. Gray Cabinet.	Data Sheet M85001-0587	<input type="checkbox"/>
ANS100MDR	100 Watt Audio Notification Panel. Red Cabinet.	Data Sheet M85001-0587	<input type="checkbox"/>

Audio Expander Panels

Panels include power supply and battery charger. DMR and microphone ordered separately.

ANS25XG	25 Watt Audio Expander Panel. Gray Cabinet.	Data Sheet M85001-0587	<input type="checkbox"/>
ANS25XR	25 Watt Audio Expander Panel. Red Cabinet.	Data Sheet M85001-0587	<input type="checkbox"/>
ANS50XG	50 Watt Audio Expander Panel. Gray Cabinet.	Data Sheet M85001-0587	<input type="checkbox"/>
ANS50XR	50 Watt Audio Expander Panel. Red Cabinet.	Data Sheet M85001-0587	<input type="checkbox"/>
ANS100XG	100 Watt Audio Expander Panel. Gray Cabinet.	Data Sheet M85001-0587	<input type="checkbox"/>
ANS100XR	100 Watt Audio Expander Panel. Red Cabinet.	Data Sheet M85001-0587	<input type="checkbox"/>

V-Series Notification Appliances

SUBMIT

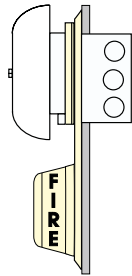


Accessories



Bell/Strobe Plate

The bell/strobe plate is ideal for renovation and retrofit projects, and new construction. It is equipped with an Edwards self-synchronizing strobe and is designed to allow on-site mounting of the 439 series Vibrating Bell, providing instant conversion to Bell/Strobe audible/visual signal appliances. The strobe is designed for 20 to 24Vdc operation and must be connected to signal circuits which output a constant (not pulsed) voltage. A diode is used to allow full signal circuit supervision.



- BS-5AR (15 cd) BS-7AR (15/75 cd) BS-3A-R (30 cd) BS-8AR (110 cd)

Data Sheet M85001-0441

Integrity Lens Marking Kits

Integrity strobes are shipped with wall mount style "FIRE" lens markings. Where ceiling mount, other languages or different lens markings are required, optional LKW and LKC series Lens Marking Kits are available. Lens marking sleeves snap right over the strobe lens providing a quick, easy, change.

- LKW-1R (Wall orientation) "FIRE" (Red)
- LKW-1 (Wall orientation) LKC-1 (Ceiling orientation) "FIRE"
- LKW-2 (Wall orientation) LKC-2 (Ceiling orientation) "FEU"
- LKW-3 (Wall orientation) LKC-3 (Ceiling orientation) "FIRE/FEU"
- LKW-4 (Wall orientation) LKC-4 (Ceiling orientation) "SMOKE"
- LKW-5 (Wall orientation) LKC-5 (Ceiling orientation) "HALON"
- LKW-6 (Wall orientation) LKC-6 (Ceiling orientation) "CO2"
- LKW-7 (Wall orientation) LKC-7 (Ceiling orientation) "EMERGENCY"
- LKW-8 (Wall orientation) LKC-8 (Ceiling orientation) "ALARM"
- LKW-9 (Wall orientation) LKC-9 (Ceiling orientation) "FUEGO"



Mounting Accessories

Integrity Temporal Horn, Horn/strobe

- INT-SB Surface Box, Red, Indoor
- INT-SBW Surface Box, White, Indoor
- INT-WB Weatherproof Box, Red, Surface
- INT-WBW Weatherproof Box, White, Surface
- INT-BDF Bi-directional Frame, Red
- INT-BDFW Bi-directional Frame, White
- INT-RR2 Two-gang Retrofit Ring, Red
- INT-RR2W Two-gang Retrofit Ring, White

Integrity Speakers, Speaker/strobes

- 960A-4SF Flush Box, Indoor
- INT-SB Surface Box, Red, Indoor
- INT-SBW Surface Box, White, Indoor
- INT-BDF Bi-directional Mounting Frame, Red
- INT-BDFW Bi-directional Mounting Frame, White
- INT-RR Four-inch Retrofit Ring, Red
- INT-RRW Four-inch Retrofit Ring, White

Integrity Re-entrant speakers, Speaker/strobes

- 960A-4SF Flush Box, Indoor
- INT-SB Surface Box, Red, Indoor
- INT-SBW Surface Box, White, Indoor
- INT-WB Weatherproof Box, Red, Surface
- INT-WBW Weatherproof Box, White, Surface
- INT-BDF Bi-directional Mounting Frame, Red
- INT-BDFW Bi-directional Mounting Frame, White

Integrity Chimes, Chime/strobes

- INT-SB Surface Box, Red, Indoor
- INT-SBW Surface Box, White, Indoor
- INT-BDF Bi-directional Mounting Frame, Red
- INT-BDFW Bi-directional Mounting Frame, White

Genesis® Signals

- 27193-11 Horn-strobe Surface Box, Red, Indoor
- 27193-16 Horn-strobe Surface Box, White, Indoor
- MG4RB Speaker Surface Box, Red, Indoor
- MG4B Speaker Surface Box, White, Indoor

8-inch Square Speakers

- 54003 Square Flush Box, Indoor
- 54010 Square Surface Box, Indoor

8-inch Round Speakers

- 960A-8RF Round Flush Box, Indoor

4-inch Round Speakers

- 960A-4RF Round Flush Box, Indoor

Horn/siren Combination

- 349 Weatherproof Backbox

Fire Alarm Bells and CS-4MS Series

- 74347U Weatherproof Backbox



Genesis MG4B Speaker Surface Box

Hazardous Location Devices

Edwards hazardous location devices provide reliable life safety protection and emergency signaling in areas where atmospheres could become harsh or explosive. All hazardous location devices are UL rated under the full range of classifications set out in the National Electrical Code.

The following classification definitions are an interpretive summary based on the 1996 edition of the National Electrical Code (NEC, NFPA 70). Refer to the latest editions of NFPA 497M, NFPA 70 and the UL Hazardous Location Equipment Directory for current and more detailed information. For more information on NEMA classifications, refer to NEMA Standards Publication No. 250.

Hazardous Location Classifications

Classes

Class I - Hazardous Gases. Class I locations are areas in which flammable gases or vapors are or may be present in the air in quantities sufficient to produce explosive or ignitable mixtures.

Typical Class I Hazardous Areas

- Spray painting and finishing areas
- Utility gas plants
- Petroleum refining production plants
- Petroleum dispensing locations
- Dry cleaning facilities
- Dip tanks containing combustibles or flammable liquids
- Plant facilities extracting solvents
- Inhalation anesthetics areas
- Process facilities manufacturing pyroxylin type plastics

Class II - Hazardous Dusts. Class II locations represent areas that are hazardous due to the presence of combustible dust.

Typical Class II Hazardous Areas

- Flour mills
- Feed mills
- Grain elevators and grain handling facilities
- Aluminum manufacturing and storage areas
- Magnesium manufacturing and storage areas
- Coal preparation and handling facilities
- Starch manufacturing and storage areas
- Confectionery plants
- Pulverizer sugar and cocoa manufacturing, and storage plants
- Spice grinding and storage plants

Class III - Hazardous Fibers. Class III locations have easily ignitable fibers or flyings present, but not likely to be suspended in air in quantities sufficient to produce ignitable mixtures in the atmosphere.

Typical Class III Hazardous Areas

- Textile mills
- Woodworking plants*
- Furniture manufacturers*
- Cotton gins
- Cotton seed milling plants
- Flax plants
- Carpet manufacturers

* Except if wood flour (dust), which is Class II Group G, is present

Divisions

The Location Classes are broken down by the NFPA into Divisions 1 and 2, defining different levels of risk. In general, the risk of there being a hazardous presence of flammable/combustible/ignitable materials is higher for Division 1 than for Division 2. The specifics differ between the three classes (I, II and III). Equipment suitable for Division 1 is also suitable for Division 2 locations.

Groups

Class I and II locations are divided by the NFPA into Group designations identifying specific gases, vapors and dusts by characteristic similarities that relate to specific equipment construction requirements. Class III locations are not divided into separate group designations.

Class I Groups

Group A. Atmospheres containing acetylene.

Group B. Atmospheres containing hydrogen, fuel and combustible process gases containing more than 30 percent hydrogen by volume, or gases or vapors of equivalent hazard such as butadiene, ethylene oxide, propylene oxide, and acrolein.

Group C. Atmospheres such as ethyl ether, ethylene, or other gases or vapors of equivalent hazard.

Group D. Atmospheres containing acetone, ammonia, benzene, butane, cyclopropane, ethanol, gasoline, hexane, methanol, methane, natural gas, naphtha (petroleum), propane, or gases or vapors of equivalent hazard.

Class II Groups

Group E. Atmospheres containing combustible metal dusts, including aluminum, magnesium, and their commercial alloys, or other combustible dusts whose particle size, abrasiveness and conductivity present similar hazards in the use of electrical equipment.

Group F. Atmospheres containing combustible carbonaceous dusts, including carbon black, charcoal, coal, or dusts that have been sensitized by other materials so that they present an explosion hazard.

Group G. Atmospheres containing combustible dusts not included in Group E or F, including flour, grain, wood, plastic, and chemicals.

SUBMIT



Initiating Devices

Rate Compensation Heat Detectors



Surface Mount



Box mount

Series 302 heat detectors are designed for use in normal environments as well as environments where the detectors are subject to weather, moisture (internal condensation), and explosive atmospheres. They are normally-open devices designed to close an electrical circuit upon activation. All models feature rate compensation and are available with either 135 °F (57.2 °C) or 194 °F (90 °C) ratings. They are self restoring, hermetically sealed, shock and corrosion resistant, and are tamperproof.

Sensors rated at 135 °F (57.2 °C) will not respond to momentary temperature fluctuations less than 30 °F/minute between 60 °F (16 °C) and 100 °F (38 °C). Sensors rated at 194°F (90 °C) will not respond to momentary temperature fluctuations less than 50 °F/minute between 60 °F (16 °C) and 150 °F (66 °C). 302 Series sensors should not be used in environments where conditions exceed these parameters. Do not install them in hot air ducts, in front of heaters, in paint booths that use heat to cure paint, or any other location subject to temperature fluctuation.

Sensor's Rated Temperature	Minimum Ambient Air Temperature	Maximum Ceiling Temperature
135 °F (57.2 °C)	-40 °F (-40 °C)	100 °F (38 °C)
194 °F (90 °C)	-40 °F (-40 °C)	150 °F (66 °C)

The sensor's aluminum tube acts as a heat collector when sources of heat radiate directly on the tube. Install these sensors out of direct sunlight and away from radiating heat sources including the direct flow from heaters and heat ducts.

<input type="checkbox"/>	302-AW-135	All-weather Heat Detector - Vertical Mounting FM & UL, 135 °F (57.2 °C)	Data Sheet M85001-0589
<input type="checkbox"/>	302-AW-194	All-weather Heat Detector - Vertical Mounting FM & UL, 194°F (90 °C)	Data Sheet M85001-0589
<input type="checkbox"/>	302-ET-135	All-weather Heat Detector - Vertical, Box Mount (½" NPT), FM & UL, 135 °F (57.2 °C)	Data Sheet M85001-0589
<input type="checkbox"/>	302-ET-194	All-weather Heat Detector - Vertical, Box Mount (½" NPT), FM & UL, 194°F (90 °C)	Data Sheet M85001-0589
<input type="checkbox"/>	302-EPM-135	Heat Detector - Explosionproof Mounting UL (Not FM approved), 135 °F (57.2 °C)	Data Sheet M85001-0589
<input type="checkbox"/>	302-EPM-194	Heat Detector - Explosionproof Mounting UL (not FM approved), 194°F (90 °C)	Data Sheet M85001-0589
<input type="checkbox"/>	AP-P	Adaptor plate for mounting 302 and 302-AW to any 3" box or 4" octagon outlet box	Data Sheet M85001-0589
<input type="checkbox"/>	STONCO27	3 ½" Weatherproof, round backbox and cover	Data Sheet M85001-0589
<input type="checkbox"/>	JALX11	Explosion proof outlet body with cover - Killark	Data Sheet M85001-0589

Hazardous location fire alarm station

The XAL-53 is an extremely rugged double-action fire alarm station suitable for hazardous locations. The device is activated by lifting the front cover and pulling down the ring. This two-step process prevents unintentional operation.



<input type="checkbox"/>	XAL-53	Hazardous Location Fire Alarm Station	Data Sheet M85001-0371
--------------------------	--------	---------------------------------------	------------------------



Notification Appliances

Hazardous Location Strobes

- Class I, II, or III locations

116DEXSTC-FJ hazardous location strobes are in-rush current limited life safety signaling appliances designed for installation in hazardous environments. Rigid specifications and state-of-the-art technology provide for high visual output and low maintenance. When pendant, wall or ceiling mounted, the 116DEXSTC-FJ meets or exceeds the requirements of UL 1971 Signaling Appliance for the Hearing Impaired. Stanchion mount models are UL 1638 Listed for private mode emergency signaling. All models are CSFM Listed.



116DEXSTC-FJ	Explosionproof Strobe, Diode Polarized	Data Sheet M85001-0586	<input type="checkbox"/>
<input type="checkbox"/> Wall Mount Elbow	<input type="checkbox"/> Ceiling/wall Module	<input type="checkbox"/> Pendant Module	<input type="checkbox"/> Stanchion Module

Hazardous Location Bells

- Class I groups B, C and D locations
- Class II groups E, F and G locations
- Class III hazardous locations, for Divisions 1 and 2

430D series of hazardous location bells are diode-polarized, heavy duty fire bells for use in life safety applications where a diode supervised signal is required. They can be mounted to any solid surface using two 3/8 inch (10 mm) bolts and the supplied mounting brackets or to a rigid conduit. The integral explosion-proof housing is mechanically terminated to accept a standard 3/4 inch -14 National Pipe Taper (NPT) nipple.



<input type="checkbox"/> 439DEX-6AW (6")	<input type="checkbox"/> 439DEX-8AW (8")	<input type="checkbox"/> 439DEX-10AW (10")	Bell – 24 Vdc	Data Sheet M85001-0399	<input type="checkbox"/>
<input type="checkbox"/> 438DEX-6N5 (6")	<input type="checkbox"/> 438DEX-8N5 (8")	<input type="checkbox"/> 438DEX-10N5 (10")	Bell – 120 Vac	Data Sheet M85001-0399	<input type="checkbox"/>

Hazardous Location Horns

- Class I groups B, C and D locations
- Class II groups E, F and G locations
- Class III hazardous locations, for Divisions 1 and 2

888D and 889D hazardous location horns are diode-polarized, heavy duty, high decibel vibrating horns intended for use in life safety systems in hazardous (classified) locations. These horns may be mounted to any solid surface using two bolts. Each unit is supplied with a sealing fitting for a 3/4 inch -14 National Pipe Taper (NPT) nipple, and wire leads for the electrical connection to the life safety system notification appliance circuit.



<input type="checkbox"/> 888D-N5 (120 Vac)	<input type="checkbox"/> 74339U (24 Vdc)	Horn – 120 Vac	Data Sheet M85001-0397	<input type="checkbox"/>
--	--	----------------	------------------------	--------------------------

V-Series

Door Holders & Relays

SUBMIT



Door Holders



24 Vac 60 Hz
24 Vdc
120 Vac 60 Hz

Electromagnetic Door Holders

Edwards electromagnetic door holders keep doors open until signaled by the fire alarm system, a heat detector, a smoke detector, or an electrical switch. Door holders should be installed wherever doors may be effectively used to confine smoke and fire, or where the release of a self-closing door from a remote location is required. Fail-safe operation is an inherent feature of these door holders. If power fails, doors are released automatically, but may be opened or closed manually at any time. All units are free of moving parts, are self-contained, and require no maintenance. Door holders have a holding force of approximately 15-25 Lbf (66-111N).

<input type="checkbox"/>	<input type="checkbox"/> 1501-AQN5 (Single Door)	<input type="checkbox"/> 1502-AQN5 (Double Door)	Floor Mounted	Data Sheet M85001-0421
<input type="checkbox"/>	<input type="checkbox"/> 1504-AQN5 (Long Catch Plate)	<input type="checkbox"/> 1505-AQN5 (Short Catch Plate)	Flush Wall Mounted	Data Sheet M85001-0421
<input type="checkbox"/>	<input type="checkbox"/> 1508-AQN5 (Surface)	<input type="checkbox"/> 1505-AQN9 (Completely flush)	Wall Mounted	Data Sheet M85001-0421
<input type="checkbox"/>	<input type="checkbox"/> 1500-1 (1.5" Extension)	<input type="checkbox"/> 1500-2 (2.5" Extension)	Catch Plate	Data Sheet M85001-0421
<input type="checkbox"/>	<input type="checkbox"/> 1500-7 (5.25 to 7.5" Extension)	<input type="checkbox"/> 1500-12 (7.5 to 12" Extension)	Catch Plate	Data Sheet M85001-0421
<input type="checkbox"/>	<input type="checkbox"/> CS2595-5 (short)	<input type="checkbox"/> CS2598-5 (long)	Replacement Armature	Data Sheet M85001-0421

Relays



Four-Voltage SPDT/DPDT Control Relays

MR Series multi-voltage control relays are ideal for applications where local contacts are required for system status, remote contacts, or for control of electrical loads and general purpose switching. They are suitable for use with HVAC temperature control, fire alarm, security, energy management, and lighting control systems. Relays provide 10-Amp contacts, which may be operated by one of four input control voltages. Each relay position contains a red LED that indicates the relay coil is energized. Relays may be snapped apart from a standard four-module assembly and used independently.

<input type="checkbox"/>	<input type="checkbox"/> MR101/T (with mounting hardware)	<input type="checkbox"/> MR101/C (in metal enclosure)	Single SPDT relay	Data Sheet M270062
<input type="checkbox"/>	<input type="checkbox"/> MR104/T (with mounting hardware)	<input type="checkbox"/> MR104/C (in metal enclosure)	4-position SPDT relay	Data Sheet M270062
<input type="checkbox"/>	<input type="checkbox"/> MR201/T (with mounting hardware)	<input type="checkbox"/> MR201/C (in metal enclosure)	Single DPDT relay	Data Sheet M270062
<input type="checkbox"/>	<input type="checkbox"/> MR204/T (with mounting hardware)	<input type="checkbox"/> MR204/C (in metal enclosure)	4-position DPDT relay	Data Sheet M270062



Heavy Duty DPDT Power Relays

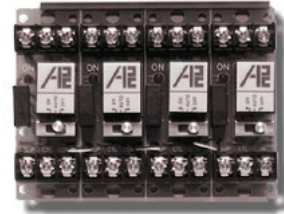
MR-199 heavy duty power relays are designed for control applications where 30-Amp DPDT contacts are required. Two models are available: a 115Vac coil and a 24Vdc coil, each of which may be mounted in a rugged steel enclosure.

<input type="checkbox"/>	<input type="checkbox"/> M-199X-13 (relay only)	<input type="checkbox"/> M-199X-13/C (in metal enclosure)	Power Relay — 24 VDC	Data Sheet M270065
<input type="checkbox"/>	<input type="checkbox"/> MR199AX14 (relay only)	<input type="checkbox"/> MR199AX14/C (in metal enclosure)	Power Relay — 120 VDC	Data Sheet M270065



SPDT Relays

Single-pull/double-throw relays are ideal for applications where local or remote contacts are required for control of electrical loads. They are suitable for use with HVAC, temperature control, fire alarm, security, energy management, and lighting control systems. Each relay position contains a high-intensity LED which, when illuminated, indicates the relay coil is energized. Individual relay circuits may be snapped apart from standard four- or eight-position modules, and are also available in a single-circuit configuration. The common power to each relay position is bussed on the printed wiring board, which permits power to be connected only once per multi-position module.



Single-Voltage Manual Override Relays

MR-600 series relays provide SPDT, 10-Amp contacts with manual override capability by means of an ON-AUTO-OFF switch. The relay requires a 24Vac or 24Vdc power source supplied by the controlling system. With the switch in the ON position the power relay is energized. With the switch in the AUTO position the relay is allowed to operate as signaled by the controlling system. With the switch in the OFF position the relay cannot be energized.

<input type="checkbox"/> MR601/T (with mounting track)	<input type="checkbox"/> MR601/S (with mounting spacers)	Single SPDT relay	Data Sheet M270061	<input type="checkbox"/>
<input type="checkbox"/> MR604/T (with mounting track)	<input type="checkbox"/> MR604/S (with mounting spacers)	4-position SPDT relay	Data Sheet M270061	<input type="checkbox"/>
<input type="checkbox"/> MR-608/T (with mounting track)	<input type="checkbox"/> MR-608/S (with mounting spacers)	8-position SPDT relay	Data Sheet M270061	<input type="checkbox"/>

Three-Voltage Control Relays

MR-800 Series relays provide SPDT 10-Amp contacts that may be operated by one of three input control voltages: 24Vdc, 24Vac or 115Vac.

<input type="checkbox"/> MR801/T (with mounting track)	<input type="checkbox"/> MR801/S (with mounting spacers)	Single SPDT relay	Data Sheet M270063	<input type="checkbox"/>
<input type="checkbox"/> MR804/T (with mounting track)	<input type="checkbox"/> MR804/S (with mounting spacers)	4-position SPDT relay	Data Sheet M270063	<input type="checkbox"/>
<input type="checkbox"/> MR808/T (with mounting track)	<input type="checkbox"/> MR808/S (with mounting spacers)	8-position SPDT relay	Data Sheet M270063	<input type="checkbox"/>

Four-Voltage Control Relays

MR-700 Series relays provide SPDT 10-Amp contacts that may be operated by one of four input control voltages: 12Vdc, 12Vac, 24Vdc, or 24Vac.

<input type="checkbox"/> MR701/T (with mounting track)	<input type="checkbox"/> MR701/S (with mounting spacers)	Single SPDT relay	Data Sheet M270064	<input type="checkbox"/>
<input type="checkbox"/> MR704/T (with mounting track)	<input type="checkbox"/> MR704/S (with mounting spacers)	4-position SPDT relay	Data Sheet M270064	<input type="checkbox"/>
<input type="checkbox"/> MR708/T (with mounting track)	<input type="checkbox"/> MR708/S (with mounting spacers)	8-position SPDT relay	Data Sheet M270064	<input type="checkbox"/>



Three-Voltage Encapsulated Control Relays

PAM1 relays provide 10-Amp Form C contacts. The relay may be energized by one of three input voltages: 24Vac, 24Vdc, or 115Vac. The PAM1 may be mounted with double-sided adhesive tape, a self-tapping screw, or loosely placed in a backbox.

PAM1	Encapsulated SPDT relay	Data Sheet M270066	<input type="checkbox"/>
------	-------------------------	--------------------	--------------------------

V-Series

Life Safety System

V-Series
Analog

Initiating
Devices

Notification
Appliances

Hazardous Location
Devices

Door Holders
& Relays

Index

Model	Description	Lit#/Guide p. #
Control Panels		
VS2	500-point Systems	M85005-0130 3
VS1	64-point Systems	M85005-0131 3
D16L-VS	LED Annunciator Modules	M85005-0130 3
SA-TRIM	Flush mount trim	M85005-0130 3
Option Cards		
SA-CLA	Class A adapter module	M85005-0130 4
SA-ETH	Ethernet Port	M85005-0130 4
SA-232	Serial Port (RS-232)	M85005-0130 4
SA-DACT	Dual Line Dialer/Modem	M85005-0130 5
SMK	Smoke Power Converter Module	M85005-0130 5
V-SLC	Loop Expansion Module	M85005-0130 5
Power Supplies		
MIRBPS	Booster Power Supplies	M85005-0125 6
APS	Auxiliary Power Supplies	M85005-0127 7
12/6V	Batteries	M85010-0127 7
Remote annunciation		
RLCD	LCD text annunciators	M85005-0128 8
RLED-C	LED zone annunciators	M85005-0128 8
RKEY	Remote key switch on plate	M85005-0128 8
RA-ENC	Remote Annunciator Enclosures	M85005-0128 9
GCI	Graphic Annunciator Driver	M85005-0128 9
EV	Envoy Graphic Annunciators	M85006-0037 9
System Accessories		
CTM	City Tie Module	M85005-0097 10
RPM	Reverse Polarity Module	M85005-0097 10
MIR-PRT/S	Serial Printer	M270020 10
Detectors & Bases		
V-PHS	Intelligent Analog Optical/Fixed Temperature Detector	M85001-0592 12
V-PS	Intelligent Analog Optical Smoke Detector	M85001-0592 12
V-HRD	Intelligent Analog Rate-of-Rise Heat Detector	M85001-0592 12
V-HFD	Intelligent Analog Fixed Temperature Heat Detector	M85001-0592 12
B4U	Standard Base	M85001-0592 13
IB4U	Isolator Detector Base	M85001-0592 13
RB4U	Relay Detector Base	M85001-0592 13
SB4U	Audible (Sounder) Detector Base	M85001-0592 13
GSA-SD	Intelligent SuperDuct Detector	M85001-0584 14
Input/Output Modules		
GSA-UM	Universal Class A/B Module	M85001-0275 15
GSA-CT1	Single Input Module	M85001-0241 15
GSA-CT2	Dual Input Module	M85001-0241 15
GSA-WTM	Waterflow/Tamper Module	M85001-0297 15
GSA-IM	Fault Isolator Module	M85001-0271 15
GSA-MM1	Monitor Module	M85001-0297 15
GSA-CC1	Single Input Signal Module	M85001-0237 16
GSA-CC2	Dual Input Signal Module	M85001-0237 16
GSA-CR	Control Relay Module	M85001-0239 16
GSA-CRR	Polarity Reversal Relay Module	M85001-0239 16
GSA-CC1S	Synchronization Output Module	M85001-0543 16
GSA-IO	Input/Output Module	M85001-0533 16
GSA-UIO	Input/Output Module Boards	M85001-0365 17

Model	Description	Lit#/Guide p. #
Manual Pull Stations		
GSA-M270	One Stage Fire Alarm Station	M85001-0279 18
GSA-M270P	Two Stage Fire Alarm Station	M85001-0279 18
GSA-M278	Double Action Fire Alarm Station	M85001-0279 18
RR-32RL	Pull Station Relocator	M85001-0351 19
STI	Pull Station Guard	M85001-0491 19
Wall Strobes, Horns & Chimes		
MG1-VM	Wall Strobes	M85001-0573 22
MG1-HD	Wall Horn-Strobes	M85001-0573 22
MG1-P	Wall Horns, Steady	M85001-0573 22
MG1R-CVM	Wall Chime-Strobes	M85001-0574 22
MG1-C	Wall Chimes	M85001-0574 22
MG1T	Genesis Trim Plates	M85001-0573 22
MG1M	Genesis Signal Master	M85001-0545 23
G4	Wall Speakers	M85001-0549 24
403	Bell Strobe Plate	M85001-0441 28
Ceiling Speakers, Horns, and Strobes		
MGC	Ceiling Speakers	M85001-0558 23
MGC-SxVM	Ceiling Speaker-Strobes	M85001-0558 23
MGC-VM	Ceiling Strobes	M85001-0558 23
MGC-H	Ceiling Horn-Strobes	M85001-0558 23
Audible Signals		
5530MD-24AW	27-Tone Selectable Signal – 24Vdc	M85001-0415 25
HPSA15R2570	15-watt loudspeaker, red	M85001-0591 25
HPSA15G2570	15-watt loudspeaker, gray	M85001-0591 25
Audio Notification System		
ANS	Audio Notification Panels	M85001-0587 27
Harsh Environment Signals		
INT-T	Temporal Horn	M85001-0341 26
INT-7AT	Temporal Horn-Strobe	M85001-0341 26
4MS-5AR	Outdoor Strobe	M85001-0305 26
INT-R2	Re-entrant Speaker	M85001-0317 26
INT-7AR2	Re-entrant Speaker-Strobe	M85001-0317 26
Hazardous Location Devices		
302Series	All-weather Heat Detectors	M85001-0589 30
XAL-53	Hazardous Location Fire Alarm Station	M85001-0371 30
116DEXSTC-FJ	Explosionproof Strobe	M85001-0586 31
Door Holders & Relays		
1500 Series	Electromagnetic Door Holders	M85001-0421 44
MR-199	Heavy Duty Power Relays	M270065 44
MR-700	MR-700 Multi-Voltage Control Relays	M270064 45
MR-800	MR-800 Multi-Voltage Control Relays	M270063 45
MR Series	MR-100 & 200 Multi-Voltage Control Relays	M270062 44
MR-600	Manual Override Relays	M270061 45
PAM1	Encapsulated SPDT relay	M270066 33

Innovation, leadership, and a rich tradition of excellence

When building owners and designers do business with Edwards, their investment is underwritten by a solid 130-year history of dedication to the fire alarm industry. That's why today architects and engineers the world over agree that when it comes to protecting people and property, Vigilant life safety products and systems remain the technology of choice.

Our strength is in our dealer network — the people and organizations we entrust with the technology that has charted the course of detection and alarm for decades. Vigilant dealers are independent contractors that form an integral part of the Edwards marketing and support organization. They enjoy exclusive access to products, custom design innovations, specialized training, and pricing privileges — and they are adept at ensuring that each proposal is strong and competitive.

These strengths set Vigilant installations apart, and have earned this brand a special place among life safety and security solutions available today.



Detection & alarm since 1872

U.S.
T 888 244 9979
F 866 503 3996

Canada
Chubb-Edwards
T 519 376 2430
F 519 376 7258

Southeast Asia
T : +65 6391 9300
F : +65 6391 9306

India
T : +91 80 4344 2000
F : +91 80 4344 2050

Europe
T +32 2 725 11 20
F +32 2 721 86 13

Latin America
T 305 593 4301
F 305 593 4300

utcfireandsecurity.com

© 2010 UTC Fire & Security.
All rights reserved.

See what's possible now.

Contact your Vigilant dealer today.

