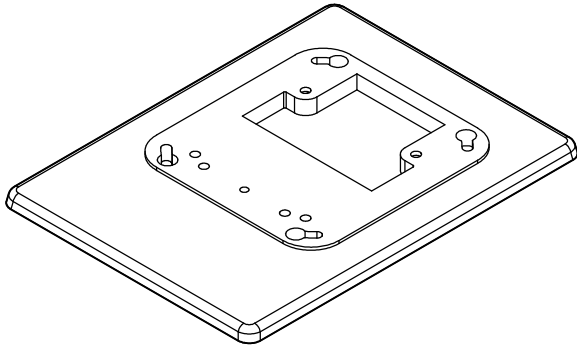


Genesis EG4 Series Trim Plate Installation Sheet



Description

Genesis EG4 Series trim plates add a finished look to your Genesis EG4 Series signaling appliances by hiding unsightly blemishes and voids around the electrical box. See Table 1 for a list of models.

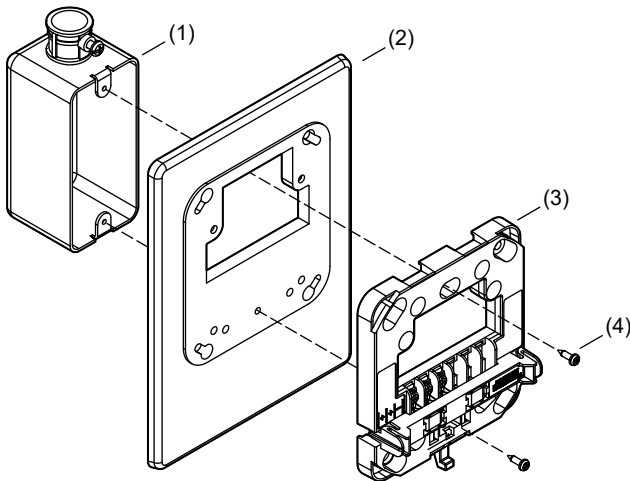
Table 1: Models

Number	Description
EG4TR	Trim plate, EG4 Series, red
EG4TW	Trim plate, EG4 Series, white

Installation

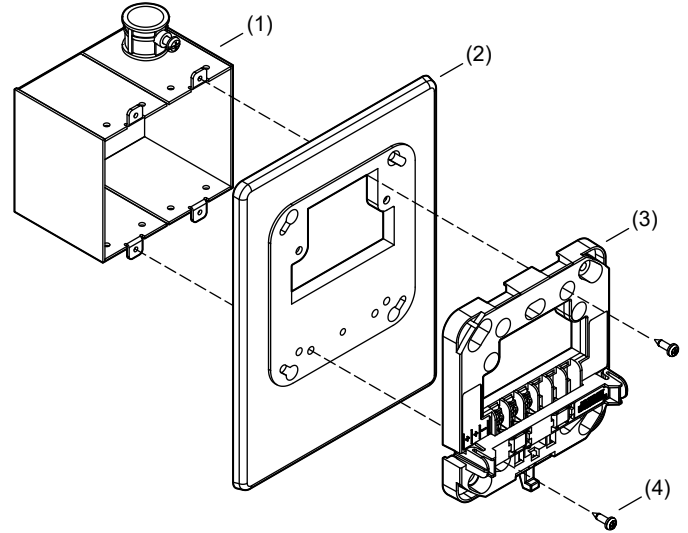
Install the trim plate as shown in Figure 1 to Figure 4. Use the pass through holes on the trim plate that match the electrical box.

Figure 1: Mounting on a 1-gang electrical box



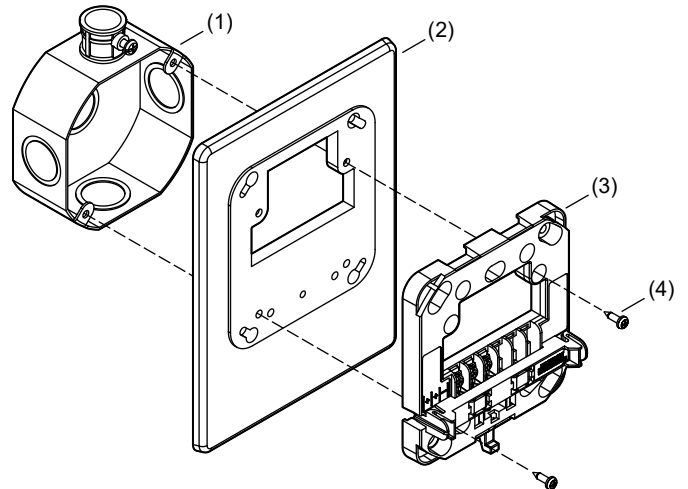
- (1) Electrical box
- (2) Trim plate
- (3) Wiring plate (supplied with signaling appliance)
- (4) Machine screw (2X, supplied with wiring plate)

Figure 2: Mounting on a 2-gang electrical box



- (1) Electrical box
- (2) Trim plate
- (3) Wiring plate (supplied with signaling appliance)
- (4) Machine screw (2X, supplied with wiring plate)

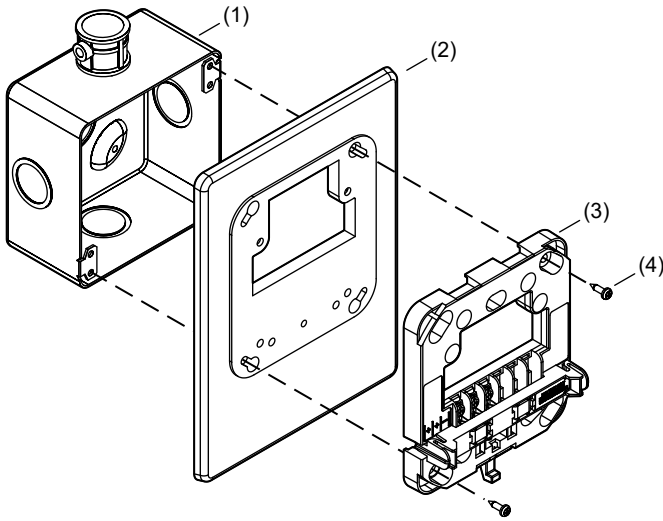
Figure 3: Mounting on a 4-inch octagon electrical box



- (1) Electrical box
- (2) Trim plate
- (3) Wiring plate (supplied with signaling appliance)
- (4) Machine screw (2X, supplied with wiring plate)



Figure 4: Mounting on a 4-inch square electrical box

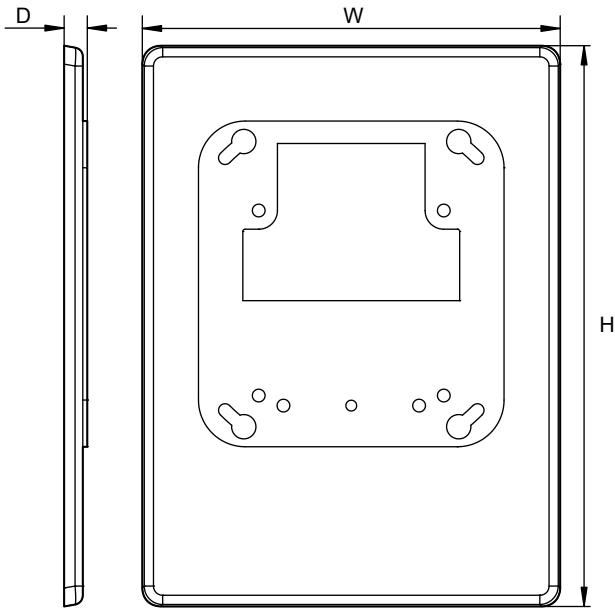


- (1) Electrical box
- (2) Trim plate
- (3) Wiring plate (supplied with signaling appliance)
- (4) Machine screw (2X, supplied with wiring plate)

Specifications

Dimensions (W × H × D)	5.6 × 7.5 × 0.3 in. (14.22 × 19.05 × 0.76 cm) See Figure 5
Compatible electrical boxes	1-gang, 2-gang, 4-inch octagon, 4-inch square
Operating environment	
Temperature	32 to 122°F (0 to 50°C)
Relative humidity	0 to 93% noncondensing

Figure 5: Dimensions



Contact information

For contact information, see www.kiddlifesafety.com.