

Notification Appliances

AS & AH – Audible Horn | Strobe / Audible Horn Appliances **Application:** Indoor / Outdoor



AS-MC-CW



AS-MC-R



AH-R



AH-W

Product Overview

- Fast installation with In / Out screw terminals using #12 to #18 AWG wires
- Synchronization can be done via the Siemens 50-point, 252-point and 504-point fire alarm control panels (FACPs), as well as with:
 - FireFinder® XLS and MXL® FACPs
 - PAD-3 or PAD-4™ NAC Extenders with built-in sync protocol
 - Siemens Dual Sync (DSC) modules
- Selectable Continuous Horn or Temporal (Code 3)
- Wall mounts are available with field-selectable Candela settings: 15/30/75/110cd or 135/185cd
- Ceiling-mount models are available with field-selectable Candela settings: 15/30/75/95cd or 115/177cd (multi-Candela ceiling models)
- Three (3) field-selectable dBA settings of 90/95/99 dBA Anechoic in both tones
- Weatherproof wall-mount models are available with field-selectable Candela settings: 135/185cd
- Weatherproof ceiling-mount models are available with field-selectable Candela settings: 115/177cd
- ®UL Listed & ®ULC Listed;
FM (#3150) and CSFM Approved (#7125-0067:0247 → Fire Alarm Devices For The Hearing Impaired)
- ADA / NFPA / UFC / ANSI compliant

Specifications

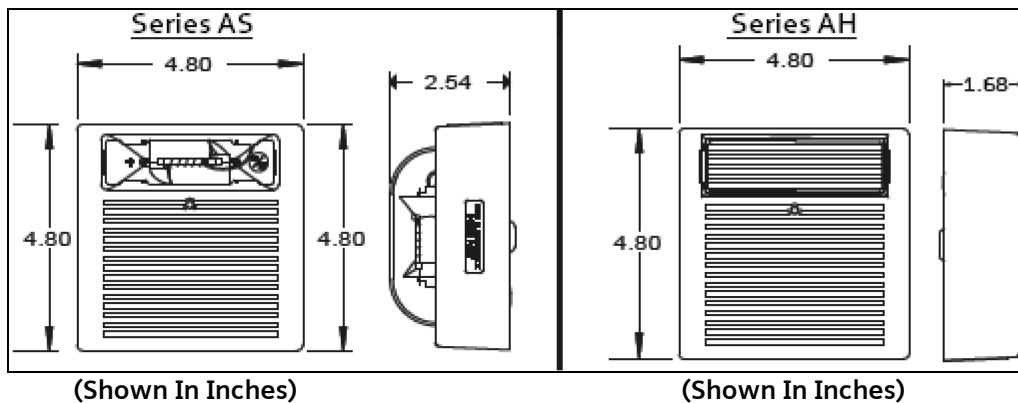
- Notification appliances are Siemens Series 'AS' Audible Horn | Strobe appliances and Series 'AH' Audible Horn appliances or approved equals
- Series 'AS' Audible Horn | Strobes are listed for ®UL Standard 1971 (Emergency Devices for the Hearing-Impaired for Indoor Fire Protection Service)
- Series 'AH' Audible Horns are ®UL Listed under Standard 464 (Fire Protective Signaling)
- All inputs are compatible with standard reverse polarity supervision of circuit wiring by the Siemens Fire Alarm Control Panel (FACP)
- The audible portion of each appliance has a minimum of three (3) field-selectable settings for dBA Anechoic levels, as well as a choice of continuous or temporal (Code 3) audible outputs
- The strobe portion of each appliance produces a flash rate of one (1) flash-per-second over the Regulated Input Voltage Range, and incorporate a Xenon flashtube enclosed in a rugged Lexan® lens

AS / AH Series Notification Appliances **2578**

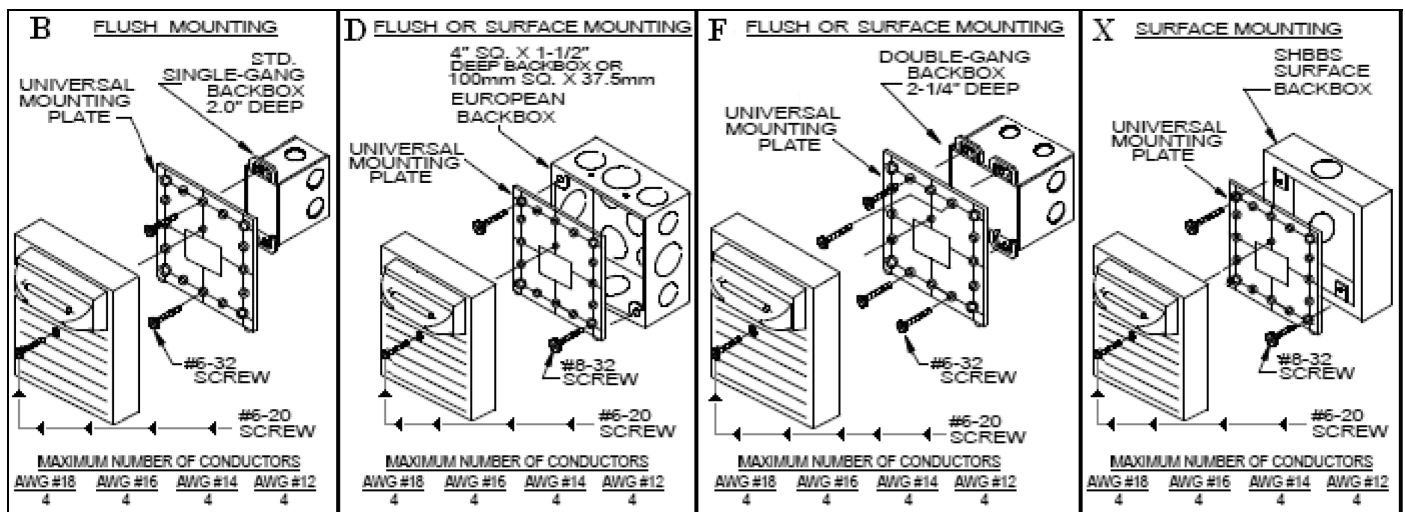
Specifications – (continued)

- Series 'AS' Horn | Strobe appliances are of low current design
- Strobe intensity (where Multi-Candela appliances are specified) is easily controlled by field-selectable settings, and is rated per @UL Standard 1971 for:
 - 15/30/75/110cd
 - 135/185cd
- When synchronization is required, Series 'AS' horn | strobe appliances are compatible with the Siemens 50-point, 252-point and 504-point fire alarm control panels (FACPs), as well as with:
 - FireFinder® XLS and MXL® FACPs
 - PAD-3 or PAD-4™ NAC Extenders with built-in sync protocol
 - Siemens DSC modules
- The strobes will not drift out of synchronization at any time during operation
- The strobes will revert to a non-synchronized flash-rate, if the sync module or Power Supply should fail to operate (i.e. – contacts remain closed)
- The appliance is also designed so that the audible signal may be silenced while maintaining strobe activation when used with Siemens synchronization
- The Series 'AS' Horn | Strobe and Series 'AH' Horn appliances incorporate a Patented Universal Mounting Plate that allow mounting to a single-gang, double-gang, 4-inch (10.2 cm.) square, Siemens SHBBS-Series surface backbox
- All notification appliances are listed for Special Applications:
 - Strobes are designed to flash at 1-flash-per-second minimum over their "Regulated Input Voltage Range"
- **Note:** NFPA-72 specifies a flash rate of 1-to-2 flashes per second, and ADA Guidelines specify a flash rate of 1-to-3 flashes per second
 - All Candela ratings represent minimum-effective Strobe intensity, based on @UL Standard 1971

Mounting Diagram



Mounting Options



Technical Data

AS-MC Series: Wall Mount

| Current Ratings (AMPs) | | MAXIMUM RMS Current – with <u>Hi</u> dBA Setting | | | |
|------------------------|-----------------|--|-------|-------|-------|
| Input Voltage | | 15cd | 30cd | 75cd | 110cd |
| DC | 16.0 – 33.0VDC | 0.094 | 0.133 | 0.212 | 0.283 |
| FWR | 16.0 – 33.0VRMS | 0.134 | 0.191 | 0.307 | 0.405 |

| Current Ratings (AMPs) | | MAXIMUM RMS Current – with <u>Med</u> dBA Setting | | | |
|------------------------|-----------------|---|-------|-------|-------|
| Input Voltage | | 15cd | 30cd | 75cd | 110cd |
| DC | 16.0 – 33.0VDC | 0.079 | 0.117 | 0.202 | 0.269 |
| FWR | 16.0 – 33.0VRMS | 0.119 | 0.183 | 0.292 | 0.397 |

| Current Ratings (AMPs) | | MAXIMUM RMS Current – with <u>Low</u> dBA Setting | | | |
|------------------------|-----------------|---|-------|-------|-------|
| Input Voltage | | 15cd | 30cd | 75cd | 110cd |
| DC | 16.0 – 33.0VDC | 0.073 | 0.112 | 0.193 | 0.260 |
| FWR | 16.0 – 33.0VRMS | 0.112 | 0.176 | 0.287 | 0.393 |

AS-HMC Series: Wall and Ceiling Mount

| Current Ratings (AMPs) | | MAXIMUM RMS Current – with <u>Hi</u> dBA Setting | | | |
|------------------------|-----------------|--|-------|-------|-------|
| Input Voltage | | 115cd | 135cd | 177cd | 185cd |
| DC | 16.0 – 33.0VDC | 0.356 | 0.356 | 0.488 | 0.488 |
| FWR | 16.0 – 33.0VRMS | 0.499 | 0.499 | 0.705 | 0.705 |

| Current Ratings (AMPs) | | MAXIMUM RMS Current – with <u>Med</u> dBA Setting | | | |
|------------------------|-----------------|---|-------|-------|-------|
| Input Voltage | | 115cd | 135cd | 177cd | 185cd |
| DC | 16.0 – 33.0VDC | 0.361 | 0.361 | 0.493 | 0.493 |
| FWR | 16.0 – 33.0VRMS | 0.509 | 0.509 | 0.716 | 0.716 |

| Current Ratings (AMPs) | | MAXIMUM RMS Current – with <u>Low</u> dBA Setting | | | |
|------------------------|-----------------|---|-------|-------|-------|
| Input Voltage | | 115cd | 135cd | 177cd | 185cd |
| DC | 16.0 – 33.0VDC | 0.356 | 0.356 | 0.499 | 0.499 |
| FWR | 16.0 – 33.0VRMS | 0.488 | 0.488 | 0.705 | 0.705 |

AS-HMC Series, Weatherproof: Wall Mount

| Current Ratings (AMPs) | | MAXIMUM RMS Current – with <u>Hi</u> dBA Setting | |
|------------------------|-----------------|--|-------|
| Input Voltage | | 135cd | 185cd |
| DC | 16.0 – 33.0VDC | 0.356 | 0.488 |
| FWR | 16.0 – 33.0VRMS | 0.499 | 0.705 |

| Current Ratings (AMPs) | | MAXIMUM RMS Current – with <u>Med</u> dBA Setting | |
|------------------------|-----------------|---|-------|
| Input Voltage | | 135cd | 185cd |
| DC | 16.0 – 33.0VDC | 0.361 | 0.493 |
| FWR | 16.0 – 33.0VRMS | 0.509 | 0.716 |

| Current Ratings (AMPs) | | MAXIMUM RMS Current – with <u>Low</u> dBA Setting | |
|------------------------|-----------------|---|-------|
| Input Voltage | | 135cd | 185cd |
| DC | 16.0 – 33.0VDC | 0.356 | 0.499 |
| FWR | 16.0 – 33.0VRMS | 0.488 | 0.705 |

AS-MC-C Series: Ceiling Mount

| Current Ratings (AMPs) | | MAXIMUM RMS Current – with <u>Hi</u> dBA Setting | | | |
|------------------------|-----------------|--|-------|-------|-------|
| Input Voltage | | 15cd | 30cd | 75cd | 95cd |
| DC | 16.0 – 33.0VDC | 0.101 | 0.147 | 0.235 | 0.303 |
| FWR | 16.0 – 33.0VRMS | 0.144 | 0.202 | 0.324 | 0.424 |

| Current Ratings (AMPs) | | MAXIMUM RMS Current – with <u>Med</u> dBA Setting | | | |
|------------------------|-----------------|---|-------|-------|-------|
| Input Voltage | | 15cd | 30cd | 75cd | 95cd |
| DC | 16.0 – 33.0VDC | 0.085 | 0.130 | 0.213 | 0.285 |
| FWR | 16.0 – 33.0VRMS | 0.132 | 0.185 | 0.312 | 0.414 |

| Current Ratings (AMPs) | | MAXIMUM RMS Current – with <u>Low</u> dBA Setting | | | |
|------------------------|-----------------|---|-------|-------|-------|
| Input Voltage | | 15cd | 30cd | 75cd | 95cd |
| DC | 16.0 – 33.0VDC | 0.079 | 0.120 | 0.210 | 0.279 |
| FWR | 16.0 – 33.0VRMS | 0.122 | 0.180 | 0.308 | 0.409 |

AS-HMC-C Series, Weatherproof: Ceiling Mount

| Current Ratings (AMPs) | | MAXIMUM RMS Current – with <u>Hi</u> dBA Setting | |
|------------------------|-----------------|--|-------|
| Input Voltage | | 115cd | 177cd |
| DC | 16.0 – 33.0VDC | 0.546 | 0.742 |
| FWR | 16.0 – 33.0VRMS | 0.546 | 0.742 |

| Current Ratings (AMPs) | | MAXIMUM RMS Current – with <u>Med</u> dBA Setting | |
|------------------------|-----------------|---|-------|
| Input Voltage | | 115cd | 177cd |
| DC | 16.0 – 33.0VDC | 0.509 | 0.716 |
| FWR | 16.0 – 33.0VRMS | 0.509 | 0.716 |

| Current Ratings (AMPs) | | MAXIMUM RMS Current – with <u>Low</u> dBA Setting | |
|------------------------|-----------------|---|-------|
| Input Voltage | | 115cd | 177cd |
| DC | 16.0 – 33.0VDC | 0.488 | 0.705 |
| FWR | 16.0 – 33.0VRMS | 0.488 | 0.705 |

AS-75 Series, Weatherproof: Wall & Ceiling Mount

| Current Ratings (AMPs) | | MAXIMUM RMS Current – with <u>Hi</u> dBA Setting | |
|------------------------|-----------------|--|------------------------|
| Input Voltage | | 30cd / 180cd (per ©UL1971) | 115cd (per ©UL1638) |
| DC | 16.0 – 33.0VDC | 0.178 | 0.178 |
| FWR | 16.0 – 33.0VRMS | 0.249 | 0.249 |

| Current Ratings (AMPs) | | MAXIMUM RMS Current – with <u>Med</u> dBA Setting | |
|------------------------|-----------------|---|------------------------|
| Input Voltage | | 30cd / 180cd (per ©UL1971) | 115cd (per ©UL1638) |
| DC | 16.0 – 33.0VDC | 0.164 | 0.164 |
| FWR | 16.0 – 33.0VRMS | 0.239 | 0.239 |

| Current Ratings (AMPs) | | MAXIMUM RMS Current – with <u>Low</u> dBA Setting | |
|------------------------|-----------------|---|------------------------|
| Input Voltage | | 30cd / 180cd (per ©UL1971) | 115cd (per ©UL1638) |
| DC | 16.0 – 33.0VDC | 0.159 | 0.159 |
| FWR | 16.0 – 33.0VRMS | 0.233 | 0.233 |

Technical Data

AH Series: Wall-only Mount

| UL Current Ratings (AMPS) | | Average Current | | |
|---------------------------|-----------------|-----------------|--------|-------|
| Volume Levels | | Low | Medium | High |
| DC | 16.0 – 33.0VDC | 0.021 | 0.043 | 0.080 |
| FWR | 16.0 – 33.0VRMS | 0.041 | 0.051 | 0.090 |

AH Series: Wall-only Mount

| ULC Current Ratings (AMPS) | | Average Current | | |
|----------------------------|----------|-----------------|--------|-------|
| Volume Levels | | Low | Medium | High |
| | 20.0 VDC | 0.014 | 0.020 | 0.035 |
| | 24.0 VDC | 0.017 | 0.025 | 0.050 |
| | 31.0 VDC | 0.021 | 0.030 | 0.065 |

AH Series

| Description | UL / ULC dBA Sound Output | | | | | | |
|-----------------------------|---------------------------|-------------------------------------|-------|-------|-------------------------------|-------|-------|
| | Volume Levels | Reverberant [Per UL464 @ 10 Ft.] | | | Anechoic [Per ULC-S525-99] | | |
| | | 16VDC | 24VDC | 33VDC | 20VDC | 24VDC | 31VDC |
| Continuous Horn | Low | 80 | 83 | 86 | 88 | 90 | 92 |
| | Medium | 85 | 88 | 91 | 90 | 95 | 97 |
| | High | 88 | 91 | 93 | 92 | 97 | 99 |
| Code 3 Horn or March Time** | Low | 75 | 79 | 82 | 88 | 90 | 92 |
| | Medium | 80 | 84 | 86 | 90 | 95 | 97 |
| | High | 84 | 87 | 90 | 92 | 97 | 99 |

** Available in sync mode only

AH Series

| ULC Directional Characteristics |
|---|
| -3 dBA: 48 degrees left, 41 degrees right |
| -6 dBA: 50 degrees left, 58 degrees right |

Note: These notification appliances are UL Listed as "Special Application". They are intended to be used only with Siemens notification appliances.

AS Weatherproof Series

| Model* | Operating Voltage (Special Application) Per UL 1638, UL1971 and UL464 (VDC/VRMS) | Voltage Range Per CAN/ULC-S525-99/ S526-02 (VDC/VRMS) | UL Rated Strobe Candela (cd) | | ULC Rated Light Output (cd) |
|--------------|---|---|------------------------------|-------------|-----------------------------|
| | | | At -40°C, per UL1638 | UL1971 | |
| | | | AS-75-R-WP | 16.0 – 33.0 | |
| AS-75-CR-WP | 16.0 – 33.0 | ~ | 115 | 30 / 180 * | ~ |
| AS-HMC-C-WP* | 16.0 – 33.0 | ~ | 50 / 75 | 115 / 177 | ~ |
| AS-HMC-WP* | 16.0 – 33.0 | ~ | 65 / 90 | 135 / 185 | ~ |

* Available in red or white.

AS-MC and AS-HMC Series

| UL Listed Ratings | | |
|-------------------|---|---------------------|
| Model* | Operating Voltage (Special Application) Per UL 1971 (VDC / VRMS) | Strobe Candela (cd) |
| AS-HMC | 16.0 - 33.0 | 135 / 185 |
| AS-MC | 16.0 - 33.0 | 15/30/75/110 |
| AS-MC-C | 16.0 - 33.0 | 15/30/75/95 |

| Description | Volume | dBA Sound Output | | |
|-------------------------------|--------|------------------------|----------|----------|
| | | Reverberant Per UL 464 | | |
| | | 16.0 VDC | 24.0 VDC | 33.0 VDC |
| Continuous Horn | Low | 80 | 83 | 86 |
| | Medium | 85 | 88 | 91 |
| | High | 88 | 91 | 93 |
| Code 3 Horn (or March Time)** | Low | 75 | 79 | 82 |
| | Medium | 80 | 84 | 86 |
| | High | 84 | 87 | 90 |

** Available only in sync mode.

- Notes:**
1. Strobe will produce 1 flash-per-second over the Input Voltage range.
 2. This strobe/horn model meets the required light distribution patterns defined in UL 1971.
 3. This model is UL Listed for indoor use with a temperature range of +32°F to +120°F (0°C to +49°C) and maximum humidity of 93% + 2% RH.

The effect of shipping and storage temperatures will not adversely affect the performance of the appliance when it is stored in the original cartons, and is not subjected to either misuse or improper handling of shipment.

Details for Ordering – (Including Mounting Options & Agency Approvals)

Agency Approvals

| Model | Part Number | Wall Mount | Ceiling Mount | Description | Mounting Options* | UL | ULC | FM | CSFM |
|--------------|-------------|------------|---------------|--|---------------------|----|-----|----|------|
| AS-MC-R | 500-636010 | YES | – | AS Horn Strobe: Multi-Candela, Red | A,B,D,E,F,G,J,N,R,X | ✓ | ✓ | ✓ | ✓ |
| AS-MC-W | 500-636011 | YES | – | AS Horn Strobe: Multi-Candela, White | A,B,D,E,F,G,J,N,R,X | ✓ | ✓ | ✓ | ✓ |
| AS-HMC-R | 500-636012 | YES | – | AS Horn Strobe: Hi Multi-Candela, Red | A,B,D,E,F,G,J,N,R,X | ✓ | ✓ | ✓ | ✓ |
| AS-HMC-W | 500-636013 | YES | – | AS Horn Strobe: Hi Multi-Candela, White | A,B,D,E,F,G,J,N,R,X | ✓ | ✓ | ✓ | ✓ |
| AS-MC-CR | 500-636006 | – | YES | AS Horn Strobe: Multi-Candela Ceiling, Red | A,B,D,E,F,G,J,N,R,X | ✓ | ✓ | ✓ | ✓ |
| AS-MC-CW | 500-636007 | – | YES | AS Horn Strobe: Multi-Candela Ceiling, White | A,B,D,E,F,G,J,N,R,X | ✓ | ✓ | ✓ | ✓ |
| AS-HMC-CR | 500-636008 | – | YES | AS Horn Strobe: Hi Multi-Candela Ceiling, Red | A,B,D,E,F,G,J,N,R,X | ✓ | ✓ | ✓ | ✓ |
| AS-HMC-CW | 500-636009 | – | YES | AS Horn Strobe: Hi Multi-Candela Ceiling, White | A,B,D,E,F,G,J,N,R,X | ✓ | ✓ | ✓ | ✓ |
| AS-HMC-CR-WP | 500-636181 | – | YES | AS Horn Strobe: Hi Multi-Candela Ceiling Weatherproof, Red | I, GG, HH | ✓ | ✓ | – | ✓ |
| AS-HMC-CW-WP | 500-636182 | – | YES | AS Horn Strobe: Hi Multi-Candela Ceiling Weatherproof, White | I, GG, HH | ✓ | ✓ | – | ✓ |
| AS-HMC-R-WP | 500-636183 | YES | – | AS Horn Strobe: Hi Multi-Candela Wall Weatherproof, Red | I, GG, HH | ✓ | ✓ | – | ✓ |
| AS-HMC-W-WP | 500-636184 | YES | – | AS Horn Strobe: Hi Multi-Candela Wall Weatherproof, White | I, GG, HH | ✓ | ✓ | – | ✓ |
| AS-75-R-WP | 500-636016 | YES | – | AS Horn Strobe: 75CD Weatherproof, Red | I, GG, HH | ✓ | ✓ | ✓ | ✓ |
| AS-75-CR-WP | 500-636015 | – | YES | AS Horn Strobe: 75CD Ceiling Weatherproof, Red | I, GG, HH | ✓ | ✓ | ✓ | ✓ |
| AH-R | 500-636003 | YES | YES | AH Horn, Red | A,B,D,E,F,G,J,N,R,X | ✓ | ✓ | ✓ | ✓ |
| AH-W | 500-636004 | YES | YES | AH Horn, White | A,B,D,E,F,G,J,N,R,X | ✓ | ✓ | ✓ | ✓ |
| AH-R-WP | 500-636005 | YES | YES | AH Horn: Weatherproof, Red | K, GG, HH | ✓ | ✓ | ✓ | ✓ |

NOTE: There are no regulatory restrictions in mounting Siemens Series 'AH' Horn-only Appliances to either wall or ceiling applications.

However, Siemens Series 'AS' Horn | Strobe Appliances are regulatory-specific to the mounting options described above, based upon the appearance of **FIRE**, text shown on the sides of certain Siemens Series 'AS' faceplates.

* = Refer to data sheet #: 2585 for detailed mounting options

Agency listed / approved => ✓

Notes:

- Models AS-75-WP and AS-75-R-WP do not provide a 75cd setting.
- The Listed Candela ratings are as follows:
 - 115cd, per @UL1638, outdoor
 - 30cd, per @UL1971, indoor
 - The indoor usage is also rated 180cd when measured directly on axis

This Page Left Intentionally Blank

Notice: This marketing data sheet is not intended to be used for system design or installation purposes.
For the most up-to-date information, refer to each product's installation instructions.

SIEMENS Industry, Inc.
Building Technologies Division

Fire Safety
8 Fernwood Road
Florham Park, NJ 07932
Tel: (973) 593-2600
FAX: (908) 547-6877
URL: www.usa.Siemens.com/Fire

(SII)
Printed in U.S.A.

Fire Safety
1577 North Service Road
East Oakville, Ontario
L6H 0H6 / **Canada**
Tel: [905] 465-8000
URL: www.Siemens.CA

September 2015
Supersedes sheet dated 5/2015
(Rev. 5)