

SK-NIC

Network Interface Card

The SK-NIC, Network Interface Card, is used with 6000 Series Honeywell Silent Knight fire alarm control panels (FACPs). It allows the sub-assemblies to connect to the Broadband network from remote locations so FACPs can be connected together:

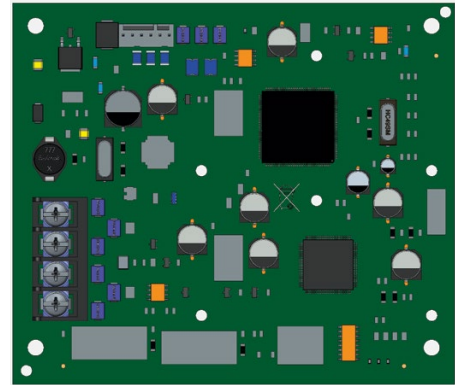
The SK-NIC card comes with network connections using unshielded, twisted-pair, copper wire. For fiber option installs, add-on modules can be used for fiber optic network connections. These modules include the SK-FML multi-mode fiber module and the SK-FSL single-mode fiber module.

Using the SK-NIC with the SK-FML and SK-FSL enables a common communications and annunciation link to be created between up to 17 panels to be connected via fiber optic cable. A designated panel is configured as the communicator for all panels in the link for convenient single-point communications. Note that panels can also be connected in this way using copper wire.

Compatible panels include the Silent Knight 6000 Series 6820 and 6820EVS FACPs. These two panels are capable of providing up to 1,110 points using SK Protocol. In addition to the built-in Signaling Line Circuit (SLC) in each panel, additional SLCs can be added until maximum point levels are reached.

This connected system can be enhanced by adding modules such as the 6860 remote annunciator which also a large 160 character, 4x40 display and four programmable function buttons designed to help automate tasks and reduce time spent at the panel.

Note: The SK-NIC provides a common communications link for 6700, 6808, 6820 and 6820EVS. However, they cannot be linked together for peer-to-peer networking.

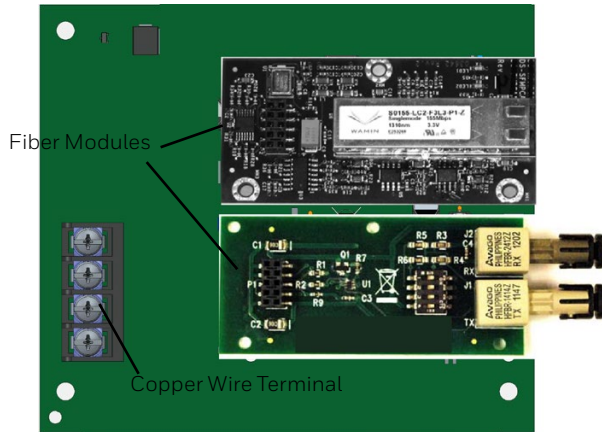


SK-NIC

FEATURES & BENEFITS

- Perfect for use when connecting compatible panels using fiber optic cable and/or copper wire for improved multi-site management and lower monthly monitoring costs
- Flexibility - networked FACPs can connect in Styles 5 or 7 configurations
- Can also be used with a variety of wire types, such as standard unshielded or twisted-pair copper wire
- The SK-NIC can be installed in the FACP or the SK-NIC-KIT cabinet for additional flexibility, and it includes one SK-NIC Network Card. The SK-NIC-KIT is required for use with the 6700 FACP.
- Uses the simple and robust 625K baud ARCNET Repeater

SK-NIC Technical Specifications



For a complete listing of all compliance approvals and certifications, please visit www.silentknight.com.

Microsoft, Windows, and the Windows Logo are registered trademarks or trademarks of Microsoft Corporation.

Honeywell® is a registered trademark of Honeywell International, Inc.

This document is not intended to be used for installation purposes. We try to keep our product information up-to-date and accurate. We cannot cover all specific applications or anticipate all requirements. All specifications are subject to change without notice.

For Technical Support, Please call 800-446-6444.

INSTALLATION

The SK-NIC card is normally mounted on standoffs under the motherboard. Use the SK-NIC-KIT for installations with the 6700 FACP. For instructions on installing the SK-NIC, refer to the following documents:

P/N: LS10172-001SK-E SK-NIC Installation Instruction

P/N: LS10178-001SK-E Fiber Modules Installation Instruction

SPECIFICATIONS

ENVIRONMENTAL

Operating Temperature: 32°F to 120°F (0°C to 49°C)

Humidity: 0 to 93% relative humidity (non-condensing)

ELECTRICAL:

Operating Voltage: 24VDC

Standby Current: 21mA

Alarm Current: 21mA

WIRING SPECIFICATIONS:

Copper Wire: 16 to 18 AWG twisted-pair, unshielded, Up to 3,000 ft. (914.4 m) between each node.

Fiber-Optic Cable: (SK-FML only) Up to 200 microns optimized for 62.5/125 microns. Up to 8 dB loss between nodes.

Fiber-Optic Cable: (SK-FSL only) Optimized for 9/125 micrometer cable @ 1310 nm. Up to 30dB loss between nodes.

ORDERING INFORMATION

SK-NIC: Network Interface Card

ACCESSORIES

SK-NIC-KIT: Accessory install kit for installing the SK-NIC outside of the FACP cabinet (required for the 6700 FACP). Includes one SK-NIC Network Card.

SK-FML: Fiber Module, multi-mode

SK-FSL: Fiber Module, single-mode

AGENCY LISTINGS AND APPROVALS

UL listed

CSFM approved

NFPA 72

FM approved

FDNY COA#: 6162

COMPATIBILITY

The SK-NIC is compatible with the following Honeywell Silent Knight FACP's:

- 6820: Addressable fire alarm control panel with up to 1,110 addressable points
- 6820EVS: Addressable fire alarm control panel with an emergency voice system and up to 1,110 addressable points
- 6808: Addressable fire alarm control panel with up to 198 addressable point
- 6700: Addressable fire alarm control panel with up to 100 addressable points

For more information

Learn more about Honeywell Silent Knight and other products by visiting www.silentknight.com

Honeywell Silent Knight

12 Clintonville Road
Northford, CT 06472
800-328-0103

351623 | A | 11/17
© 2017 Honeywell International Inc.

