

### Cautions and Warnings

DO NOT INSTALL ANY SIMPLEX PRODUCT THAT APPEARS DAMAGED. Upon unpacking your Simplex product, inspect the contents of the carton for shipping damage. If damage is apparent, immediately file a claim with the carrier and notify Simplex.



**ELECTRICAL HAZARD** - Disconnect electrical power when making any internal adjustments or repairs. Servicing should be performed by qualified Simplex Representatives.



**STATIC HAZARD** - Static electricity can damage components. Therefore, handle as follows:

1. Ground yourself before opening or installing components.
2. Keep uninstalled component wrapped in anti-static material at all times.

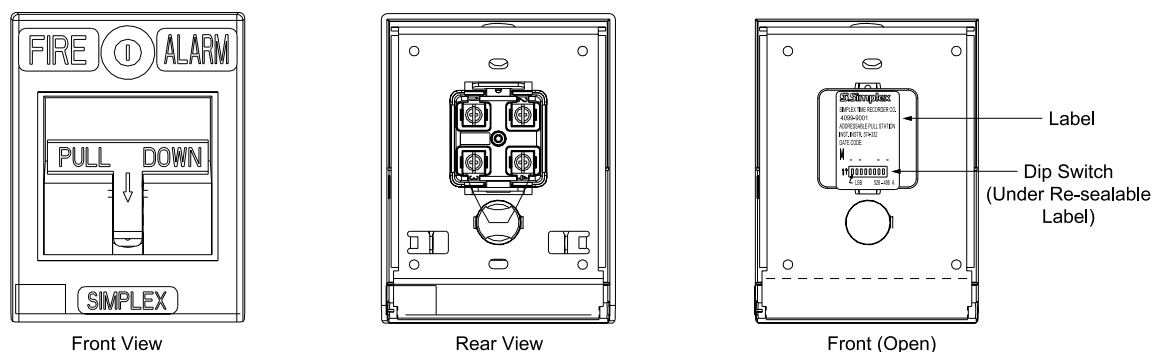
### Introduction

The 4099-9001, -9002, -9003 Addressable Pull Stations provide two-state status information (NORMAL and SHORT) to the 4010 Fire Alarm Control Panel (FACP) via the IDNet™ channel and to the 4100/4120/4020 FACP via the MAPNET II channel. The IDNet and MAPNET II channel(s) provide the communication link between pull stations and FACP and powers the entire circuitry.

### Installation

Addressable Pull Station installation consists of the following:

- Setting the Addressable Pull Station address
- Making electrical connections to the Addressable Pull Station
- Mechanically installing the Addressable Pull Station



**Figure 1. Addressable Pull Station Assembly**

### In this Publication

This publication discusses the following topics:

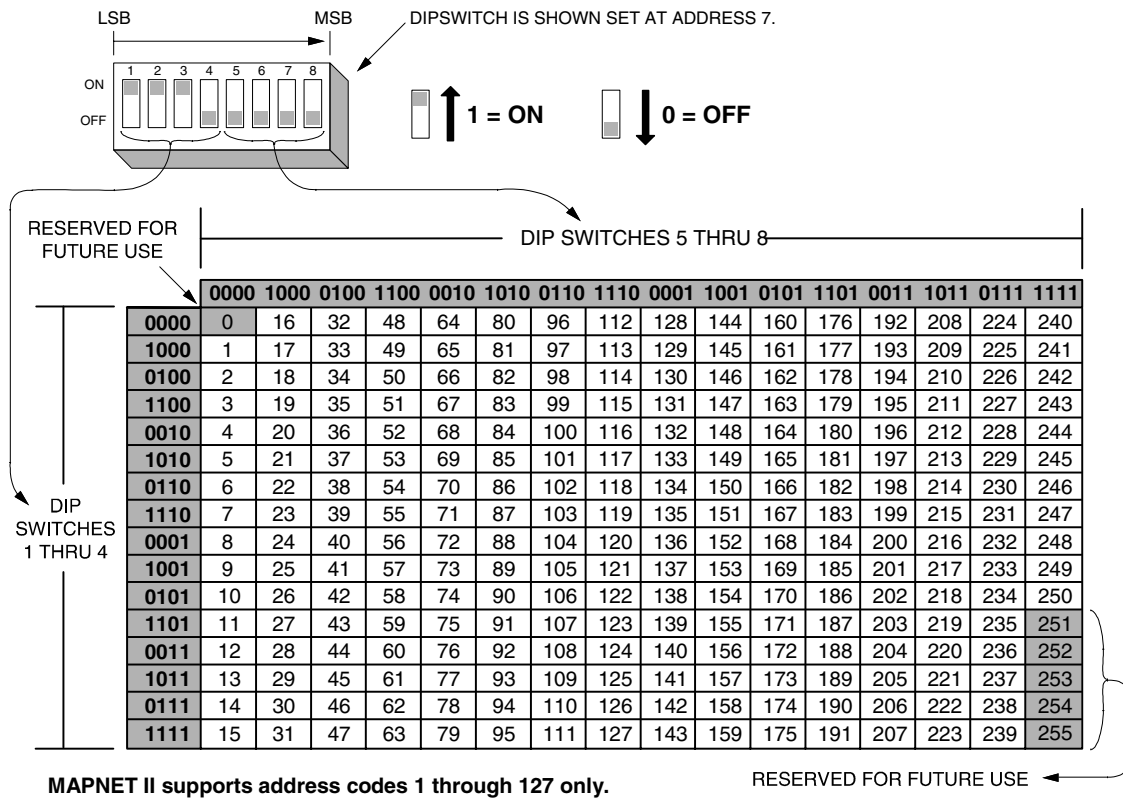
Topic	See Page #
Overview	1
Setting the Addressable Pull Station Address	2
Making Electrical Connections to the Addressable Pull Station	3
Mechanically Installing the Addressable Pull Station	4

## Setting the Addressable Pull Station Address

**Note:** The IDNet channel (4010 FACP only) supports address codes 1 through 250. The MAPNET II channel (4100, or 4120, or 4020 FACP) supports address codes 1 through 127.

Each Addressable Pull Station has a unique address. The address of the Addressable Pull Station is set via an eight position dip switch (Figure 1), DIP switch position 1 is the least significant bit (LSB) and position 8 is the most significant bit (MSB). Set the Addressable Pull Station address using Figure 2 as reference. Use a small screwdriver or pen to set the switches. The device address for the Addressable Pull Station should be written on the re-sealable label, this information provides an aid in troubleshooting the system.

**Note:** DIP switch in “1” position is “ON” while DIP switch in “0” position is “OFF”.



**Figure 2. Addressable Pull Station Address Chart**

### 4010 FACP (IDNet Channel)

Configure the Addressable Pull Station to the 4010 panel using the *4010 Fire Alarm – Installation and Programming (574-187)* and *4010 Fire Alarm – Installing, Operating, and Programming Instructions (574-052)*. Refer to 4010 panel label 526-444 for appropriate revision of the instructions to be used.

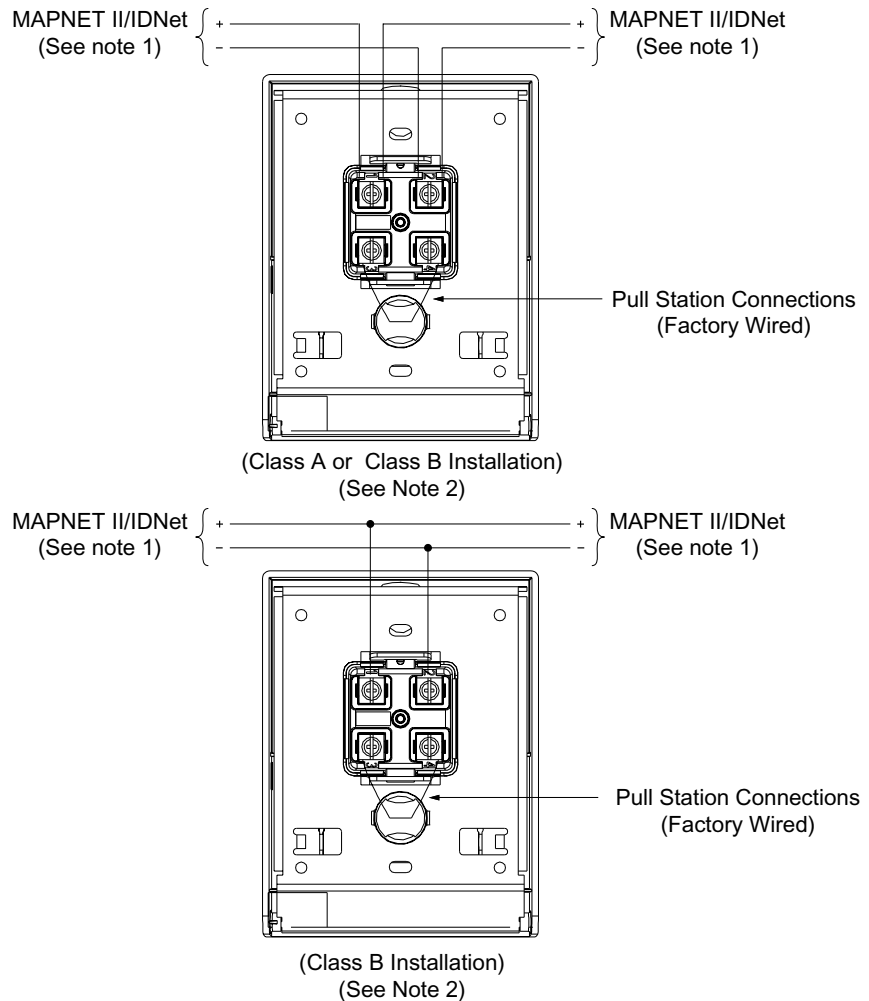
### 4100/4120/4020 FACP (MAPNET II Channel)

Configure the Addressable Pull Station to the host FACP using the 4100, 4120, or 4020 Programmer’s Report. The Addressable Pull Station address and location must match up with the address listed in the specification sheets of the 4100, 4120, or 4020 Programmer’s Report.

## Making Electrical Connections to the Addressable Pull Station

The IDNet or MAPNET II signal connects to the Addressable Pull Station via terminals 1 and 2. Terminals 3 and 4 are factory wired, do not use for field wiring. Terminal connections for the Addressable Pull Station are illustrated in Figure 3.

**CAUTION: Do not loop wire under terminals. Break wire runs to provide supervision.**



### Notes:

1. When connecting two wires to one terminal, position one wire on each side of the terminal screw. Maximum allowable run from FACP to farthest device not to exceed 2500 feet. Maximum total wire (including all T-Taps) from FACP is 10000 feet. IDNet and MAPNET II lines are 18 AWG twisted pair (shield recommended).
2. Refer to Field Wiring Diagram 842-073 for further information on wiring Addressable Pull Stations to IDNet. Refer to Field Wiring Diagrams 841-804 or 841-996 for further information on wiring Addressable Pull Stations to MAPNET II. IDNet and MAPNET II wiring are supervised and Power-Limited.

**Figure 3. Addressable Pull Station Connections**

## Mechanically Installing the Addressable Pull Station

Install the Addressable Pull Station into an U.L.-Listed single-gang or 4-inch square electrical box (not supplied) using Figure 4 as a reference.

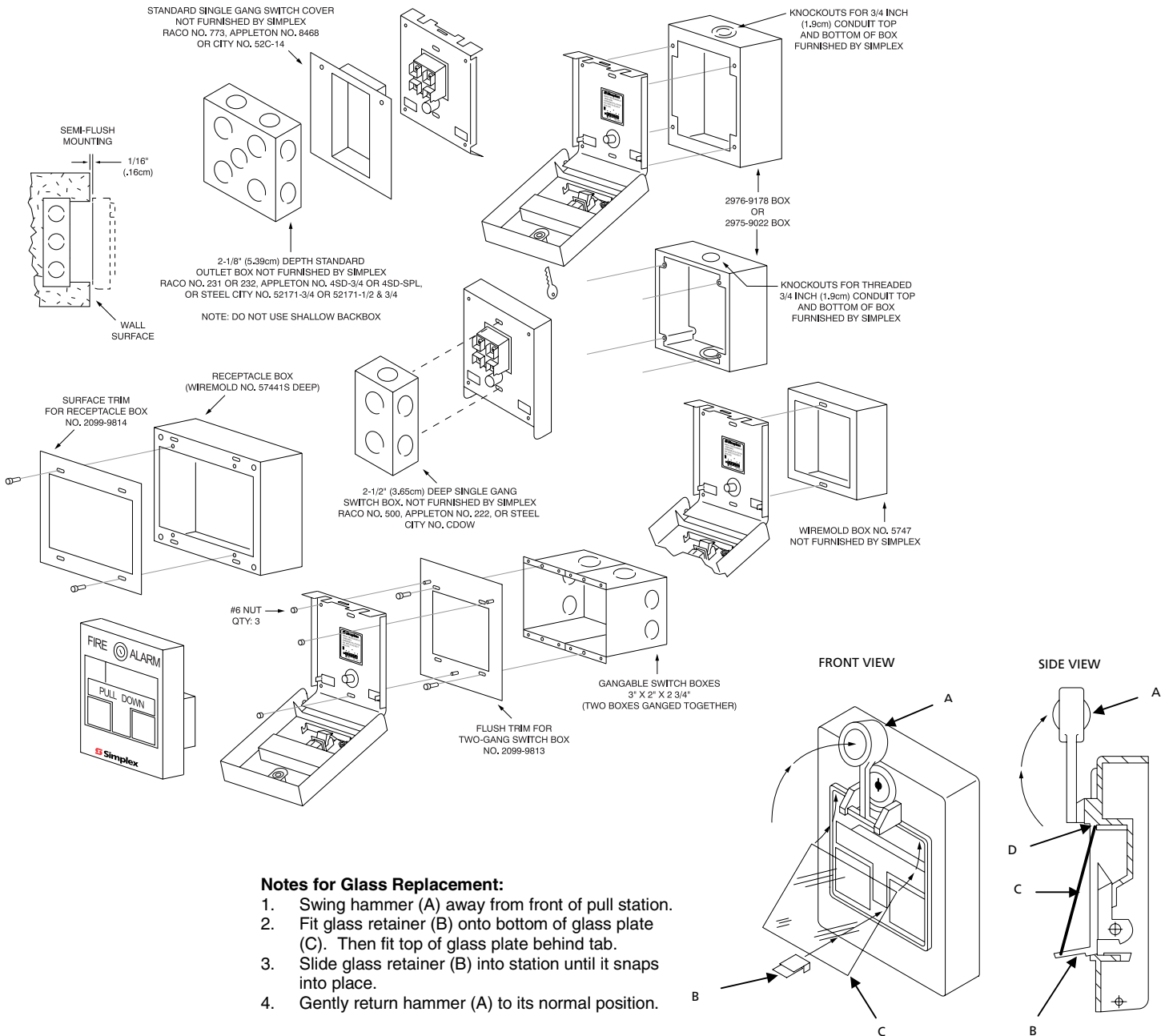


Figure 4. Addressable Pull Station Back Box Installation