

**Features**

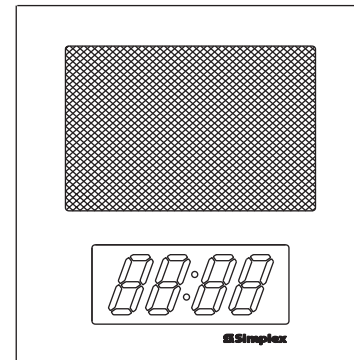
- 2.5" Four-Digit Corrective Digital LED Clock
- Flush, Surface, or Bi-Directional Mount
- Four Wires Provide Power and "BCD" or Synchronous Correction
- Two Wires Provide Power and 12-Hour Correction with Power Drop Operation
- 12-Hour or 24-Hour (00-23) Display, DIP Switch Selectable
- 18 Gauge Cold Rolled, Painted White
- 8" Dual Cone Talk-back Intercom Speaker
- Excellent Program Sound Quality
- Extended 60 Hz to 12 kHz Frequency Response
- Built-in Time Setting Switches
- Multiple Correction Modes:
  - Digital BCD
  - Synchronous Clock Correction
  - Power Drop Operation
  - Stand-Alone Operation

**Description**

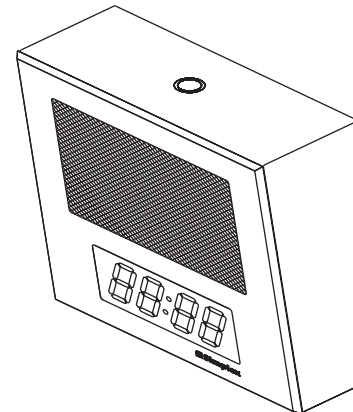
The 6334-Series Digital Clock/Speaker Assemblies are designed specially for use with the Simplex 5100-Series Communication System in an educational or institutional environment. Heavy 18 gauge steel construction and acoustical damping allows exceptional tone quality to be reproduced from the 8-inch speaker. 6334-Series assemblies also provide direct read digital displays for maximum visibility in both high and low ambient light conditions. Typical viewing distance is up to 50 feet (15.2 m). All mounting panels and enclosures are provided with a textured white finish.

To ensure proper synchronization, and in the event of a power loss, these clocks can be synchronized by a Simplex 5100-Series Sound and Communications System or a Simplex 6400-Series Master Control. The units operate from a 24 VDC supply, and with a 2-wire circuit, will operate and receive 12-hour correction on a common pair. In addition, with a 4-wire circuit, these units accept Simplex BCD correction with time updates provided each second, or synchronous correction with time updates provided each minute.

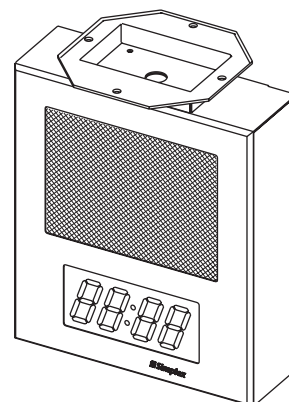
Manual time setting switches are accessible from the front of the clock. These switches function only in stand-alone mode.



**6334-9202**  
**Flush Clock/Speaker Assembly**



**6334-9203**  
**Surface Mount Clock/Speaker Assembly**



**6334-9214**  
**Bi-directional Digital Clock/Speaker Assembly**

## Clock Dimensions

### 6334-9214 Bi-directional Digital Clock/Speaker Assembly includes:

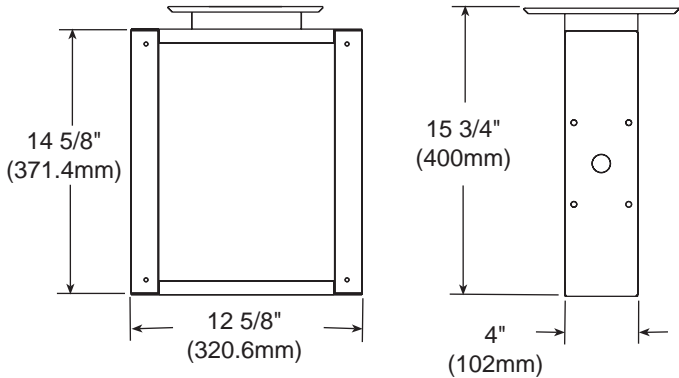
- (2) Clock/Speaker Cover Assembly
- (1) Bi-directional Digital Clock/Speaker Enclosure

### 6334-9203 Surface Mount Clock/Speaker Assembly includes:

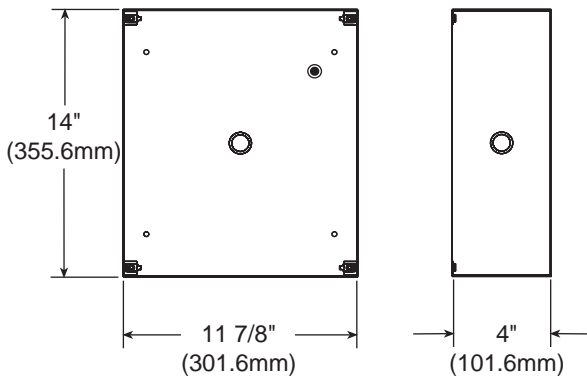
- (1) Clock/Speaker Cover Assembly
- (1) Surface Clock/Speaker Back Box

### 6334-9202 Flush Mount Clock/Speaker Assembly includes:

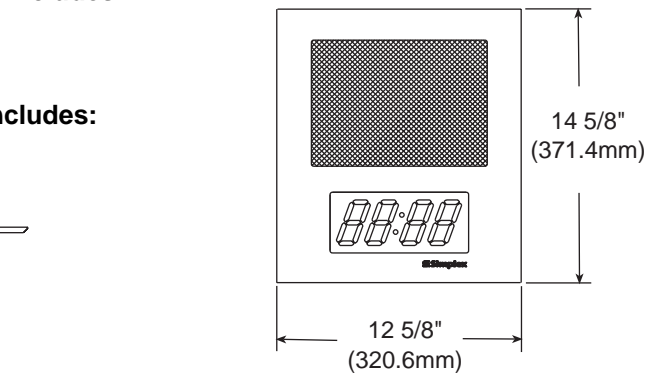
- (1) Clock/Speaker Cover Assembly
- (1) Flush Clock/Speaker Back Box



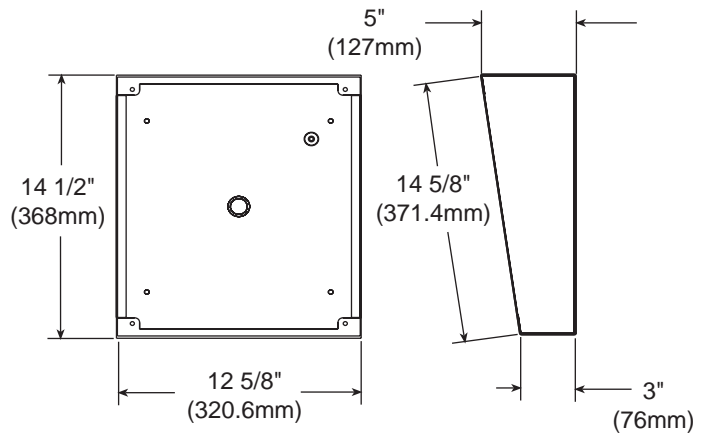
**Bi-Directional Digital Clock/Speaker Enclosure**



**Flush Clock/Speaker Back Box**



**Clock/Speaker Cover Assembly**



**Surface Clock/Speaker Back Box**

### Speaker Specifications (5120-9410)

|                      |                          |
|----------------------|--------------------------|
| Type                 | 8" dual cone             |
| Frequency Range      | 60 Hz to 12 kHz          |
| Sensitivity          | 94 dB (1 watt @ 1 meter) |
| Power Capacity       | 8 watts                  |
| Voice Coil Impedance | 45 Ohms                  |
| Voice Coil Diameter  | 0.75"                    |
| Magnet               | 5 oz.                    |
| Depth                | 2 5/8"                   |
| Weight               | 1.5 lbs.                 |

### Clock Specifications (6334-9025)

|                               |  |
|-------------------------------|--|
| Input Voltage                 | 100 mA at 24 VDC                       |
| Wiring for Correction Circuit | 1 pair shielded or Cat. 5              |
| Power                         | 2 wires stripped and tinned 12"        |
| Environmental Limitation      | 32°F to 100° F (0° C to 38° C)         |
| Humidity                      | 95% non-condensing                     |
| Display                       | 4 digit red LED, 2.5" (63 mm) numerals |

Tyco, Simplex, the Simplex logo, and Celestra are trademarks of Tyco International Services AG or its affiliates in the U.S. and/or other countries.



Tyco Safety Products Westminister • Westminister, MA • 01441-0001 • USA  
www.tycosafetyproducts-usa-wm.com

S6334-0003-3 11/04

© 2004 Tyco Safety Products Westminister. All rights reserved. All specifications and other information shown were current as of document revision date and are subject to change without notice.