

Features

Stay prepared by storing fire alarm system replacement parts on-site:

- Improve efficiency and cost of fire alarm system repair by stocking commonly used spare parts in a dedicated parts cabinet
- Whether accidentally damaged, vandalized, or otherwise in need of replacement, quickly locating the correct replacement part expedites returning your fire alarm system to normal operation

Spare parts kits are available for:

- Simplex® Addressable fire alarm systems, Model BESAFEADDR
- or Simplex non-Addressable fire alarm systems, Model BESAFECONVEN
- or the parts cabinet can be ordered separately to house a customized spare parts kit per your local system needs, Model BESAFEBOX

BESAFE cabinet details:

- The BESAFE cabinet can be wall or floor mounted
- Cabinet color is beige with highly visible black lettering of “FIRE ALARM PARTS KIT” to easily locate
- Cabinet size is 22” W x 10” H x 8-1/2” D (559 mm, x 254 mm, x 216 mm)
- The locking cabinet door uses a standard Simplex “B” key and is bottom hinged to drop down for easy internal access
- A door mounted label is provided for convenient inventory logging

Description

Parts Replacement. Ensuring a properly functioning fire alarm system often requires peripherals to be replaced. This can be due to damage (either intentional or unintentional), accumulation of dirt, excessive moisture, or other environmental conditions, or they may simply no longer work as intended. Whether replaced by on-site personnel, or by a Simplex product representative, having the correct replacement part on-site saves time and expense.



BESAFE Spare Parts Kit Cabinet and Parts



BESAFE Spare Parts Kit with Door Open

Standard Spare Parts Kit Contents

Standard Non-Addressable parts kits include:

- One manual (pull) station, standard single action
- One pluggable 135° F (37° C) heat detector with rate-of-rise detection
- Two pluggable photoelectric smoke detectors
- One detector base, compatible with either the smoke or heat detector
- One wall mounted red strobe
- One wall mounted red horn/strobe

Standard Addressable parts kits include:

- One addressable manual (pull) station, standard single action
- One pluggable heat sensor
- Two pluggable photoelectric smoke sensors
- One sensor base, compatible with either the smoke or heat sensor
- One wall mounted red strobe
- One wall mounted red horn/strobe

(Refer to the Product Selection list on page 2 for specific part model numbers.)

* Listings apply to individual parts, refer to the parts list and reference information on page 2 for details.

Product Selection

Addressable Fire Alarm System Spare Parts Kit

Model	Description			
BESAFEADDR	Addressable Fire Alarm System Spare Parts Kit, includes the following parts:			
	Qty	Model*	Description	Data Sheet Reference
	1	BESAFEBOX	Beige mounting box	–
	1	4098-9792	Standard sensor base	S4098-0019
	2	4098-9714	Photoelectric sensor	
	1	4098-9733	Heat sensor	S4099-0001
	1	4099-9001	Addressable manual station, single action	
	1	4906-9127	Multi-candela horn/strobe notification appliance, red wall mount	S4906-0002
1	4906-9101	Multi-candela strobe notification appliance, red wall mount	S4906-0001	

Non-Addressable (conventional) Fire Alarm System Spare Parts Kit

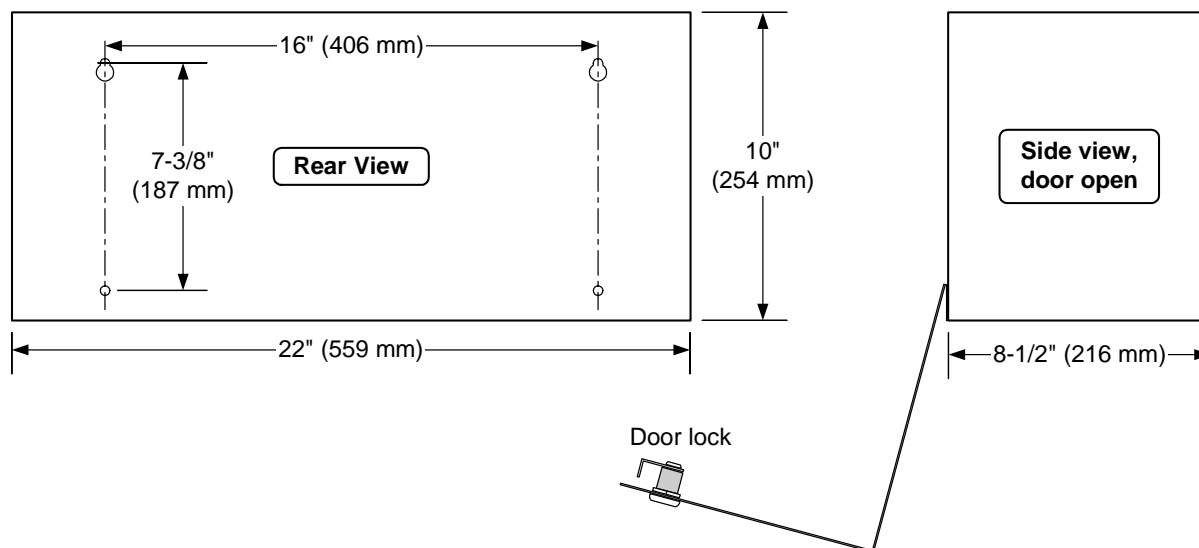
Model	Description			
BESAFECONVEN	Non-Addressable Fire Alarm System Spare Parts Kit , includes the following parts:			
	Qty	Model*	Description	Data Sheet Reference
	1	BESAFEBOX	Beige mounting box	–
	1	4098-9788	Two-wire detector base	S4098-0015
	2	4098-9601	Photoelectric detector	
	1	4098-9613	Heat detector, 135° F (37° C), with rate-of-rise detection	S4098-0014
	1	2099-9754	Pull station, single action	S2099-0007
	1	4906-9127	Multi-candela horn/strobe notification appliance, red wall mount	S4906-0002
1	4906-9101	Multi-candela strobe notification appliance, red wall mount	S4906-0001	

Spare Parts Kit Box Only

Model	Description
BESAFEBOX	Beige mounting box; dimensions: 22" W x 10" H x 8-1/2" D (559 mm, x 254 mm, x 216 mm)

* Please Note: Spare Parts Kit items comply with GSA specifications for USA manufacture. Products with multiple country manufacture are marked with a GSA model number prefix to identify those manufactured in the USA per GSA specifications.

Mounting Reference



Tyco is a registered trademark of Tyco International Services GMBH and is used under license. Simplex, and the Simplex logo are trademarks of Tyco International Ltd. and its affiliates and are used under license.